



Data Specs

Electro Magnet Lifting Solenoid Sucker

These holding electro-magnets are magnetic devices with steel bodies and internal coils used to securely hold ferromagnetic parts once the coil is energized. Designed for use with electro machine holding and lifting mechanisms or as door lock magnet. This electro-magnets are energized to hold and de-energized to release.



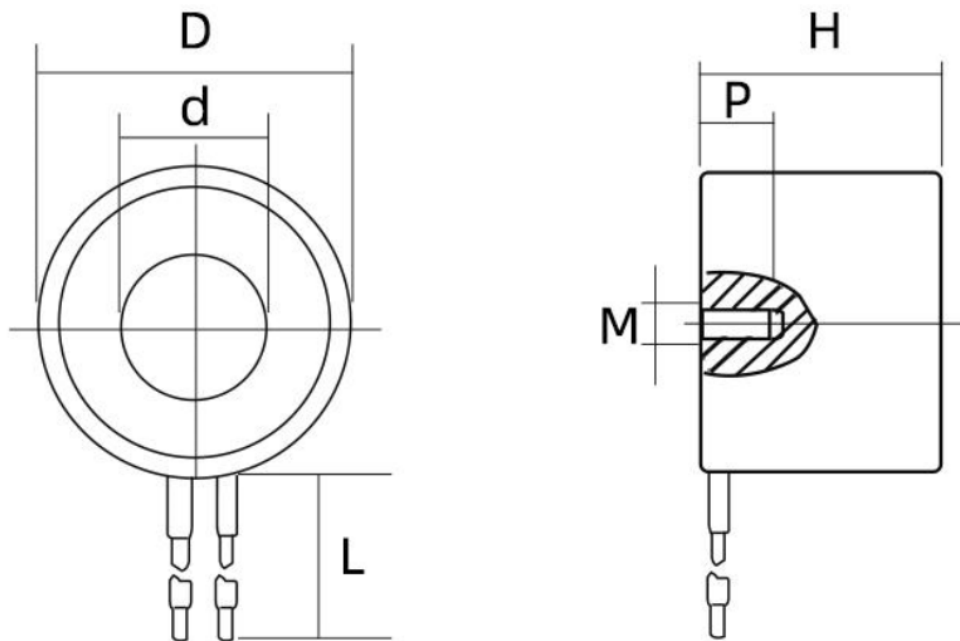
SKU: [EMH1199](#)

Brief Data:

- Material: Stainless Steel.
- Operating Voltage: 12Vdc
- Operating Current: 150mA.
- Lifting Capacity: 5Kg.
- Diameter: Ø25mm.
- Height: 20mm.
- Mounting Hole: 1x M4.
- Weight: 55g.

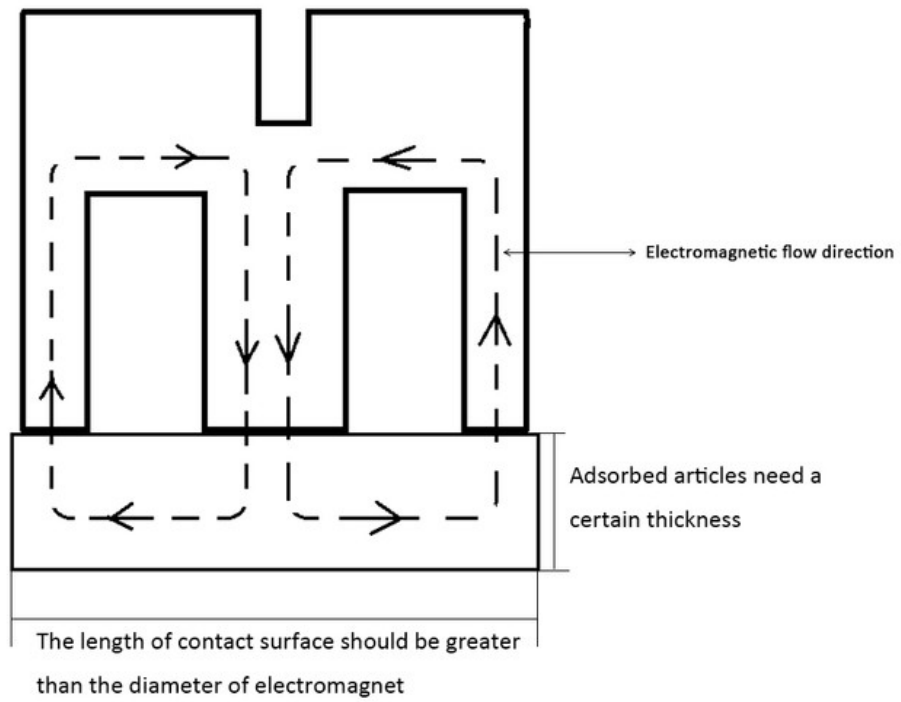
Mechanical Dimension:

Unit: mm



Model	D Ø	d	H	P	M	SKU
P25/20	25	12	20	12	M4	EMH1199

Application:





Handsontec.com

We have the parts for your ideas

HandsOn Technology provides a multimedia and interactive platform for everyone interested in electronics. From beginner to diehard, from student to lecturer. Information, education, inspiration and entertainment. Analog and digital, practical and theoretical; software and hardware.



open source
hardware

HandsOn Technology support Open Source Hardware (OSHW) Development Platform.

Learn : Design : Share

www.handsontec.com



The Face behind our product quality...

In a world of constant change and continuous technological development, a new or replacement product is never far away – and they all need to be tested.

Many vendors simply import and sell without checks and this cannot be the ultimate interests of anyone, particularly the customer. Every part sell on Handsotec is fully tested. So when buying from Handsontec products range, you can be confident you're getting outstanding quality and value.

We keep adding the new parts so that you can get rolling on your next project.



www.handsontec.com

[Breakout Boards & Modules](#)



[Connectors](#)



www.handsontec.com

[Electro-Mechanical Parts](#)



www.handsontec.com

[Engineering Material](#)



www.handsontec.com

[Mechanical Hardware](#)



[Electronics Components](#)

P



www.handsontec.com

[Power Supply](#)



[Arduino Board & Shield](#)

Tools & Accessory



www.handsontec.com

[Tools & Accessory](#)