



Data Specs

## Multi Turns Counting Dial for Potentiometer

This Multi Turn Counting Dial is for use with precision potentiometers or other rotating devices of up to 10 turns. This turn counting dial has a compact design requiring only 22.8mm diameter panel space, has no backlash and is for use with  $\text{Ø}6.35\text{mm}$  diameter shafts.



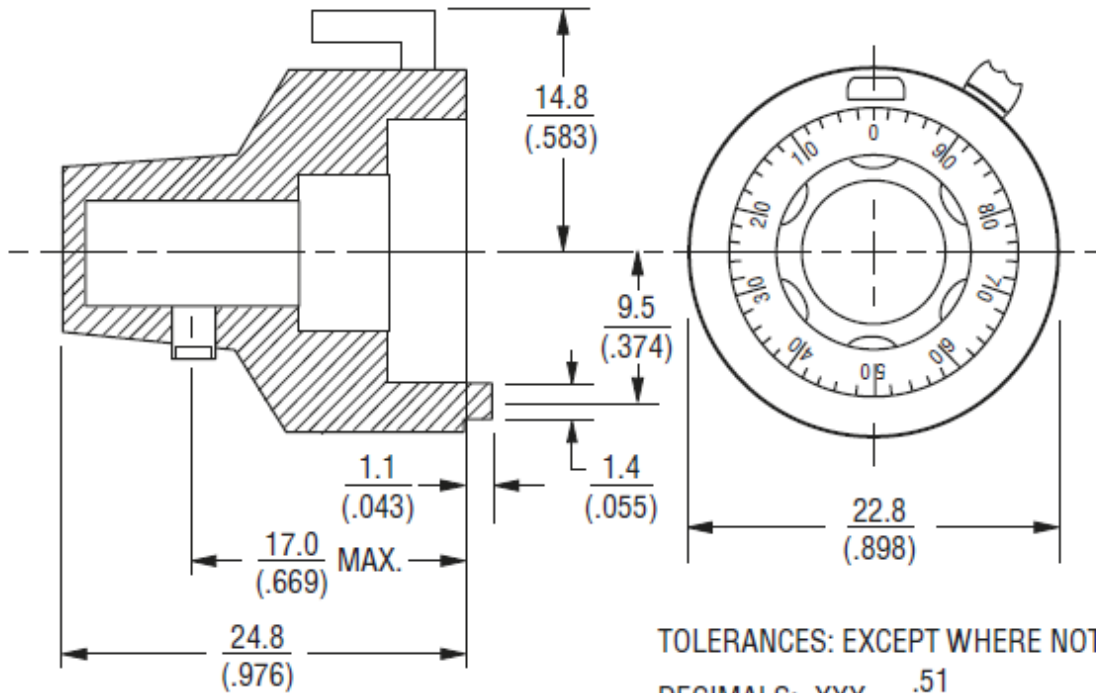
**SKU: [RES1501](#)**

### **Brief Data:**

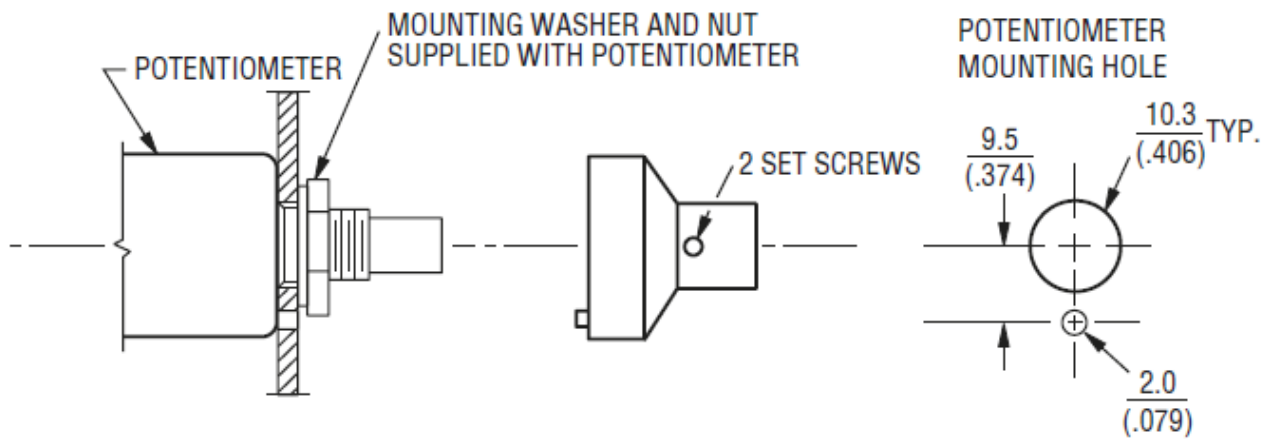
- Product Type: Multi Turn Turns Counting Dial.
- Counting Capacity, Max Turn: 10.
- For use with: 1/4" (6.35mm) Shaft.
- Inner Diameter. 10.3mm
- Number of Set Screw: 1.

**Mechanical Dimension:**

**Unit: mm**



TOLERANCES: EXCEPT WHERE NOTED  
DECIMALS:  $.XXX \pm \frac{.51}{(.020)}$   
DIMENSIONS:  $\frac{MM}{(IN.)}$



**Mounting:**





# Handsontec.com

**We have the parts for your ideas**

---

HandsOn Technology provides a multimedia and interactive platform for everyone interested in electronics. From beginner to diehard, from student to lecturer. Information, education, inspiration and entertainment. Analog and digital, practical and theoretical; software and hardware.



open source  
hardware

HandsOn Technology support Open Source Hardware (OSHW) Development Platform.

*Learn : Design : Share*

*handsontec.com*



**The Face behind our product quality...**

**In a world of constant change and continuous technological development, a new or replacement product is never far away – and they all need to be tested.**

**Many vendors simply import and sell without checks and this cannot be the ultimate interests of anyone, particularly the customer. Every part sell on Handsotec is fully tested. So when buying from Handsotec products range, you can be confident you're getting outstanding quality and value.**

**We keep adding the new parts so that you can get rolling on your next project.**



[www.handsontec.com](http://www.handsontec.com)

[Breakout Boards & Modules](#)



[Connectors](#)



[www.handsontec.com](http://www.handsontec.com)

[Electro-Mechanical Parts](#)



[Engineering Material](#)



[www.handsontec.com](http://www.handsontec.com)

[Mechanical Hardware](#)



[Electronics Components](#)

P



[www.handsontec.com](http://www.handsontec.com)

[Power Supply](#)



[Arduino Board & Shield](#)

[Tools & Accessory](#)



[www.handsontec.com](http://www.handsontec.com)

[Tools & Accessory](#)