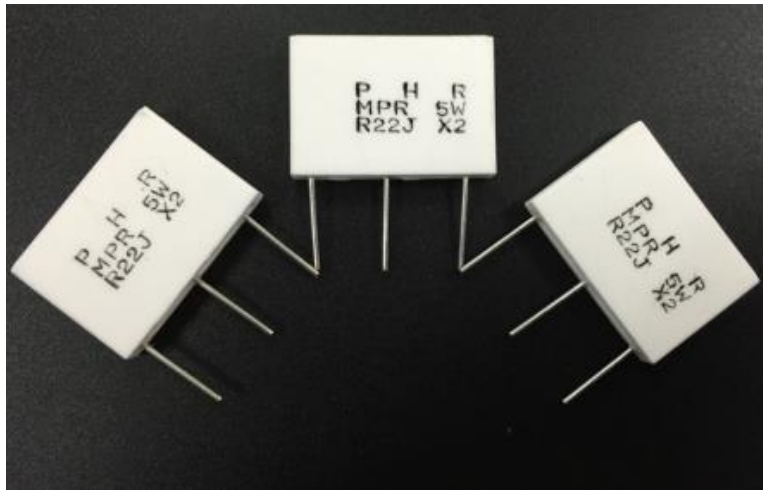




Data Specs

Non Inductive Cement-Filled Fixed Resistors (5+5)W

(5+5)W Non-inductive power resistor. Ceramic cement-filled case. Twin element type. Ideal for Amplifier Output Circuits, Transistor Emitter Circuits, Power Supplies, and Current Sensors.



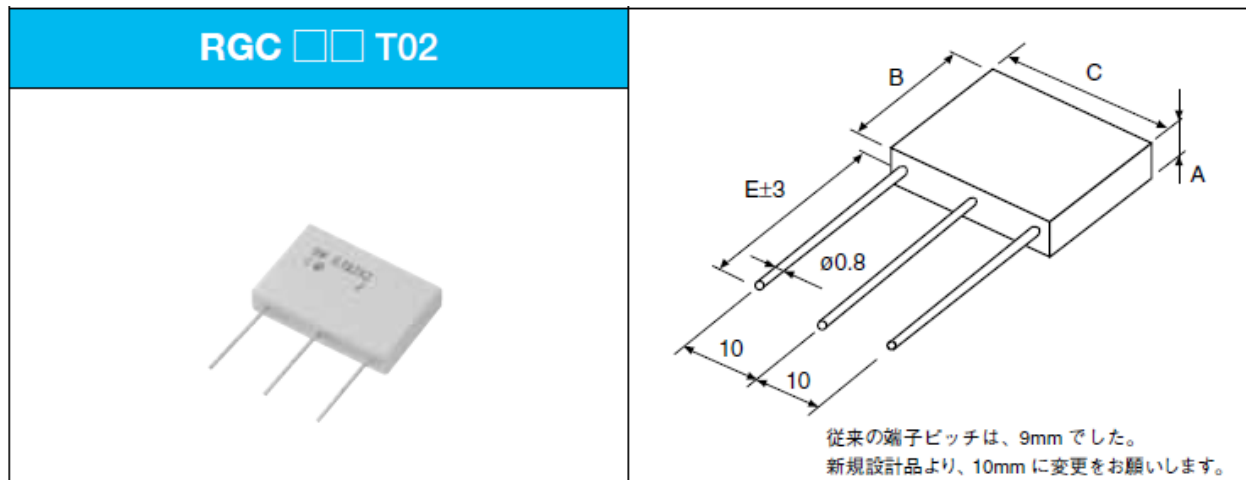
SKU: RES1006

Brief Specification:

- Series: RGC/MPR55T02.
- Resistance: 0.18~0.22Ω.
- Power Rating: (5+5)W Twin Elements.
- Package/Case: Cement-Filled,
- Tolerance: ±5%.
- Technology: Non Inductive.
- Termination Style: Axial.

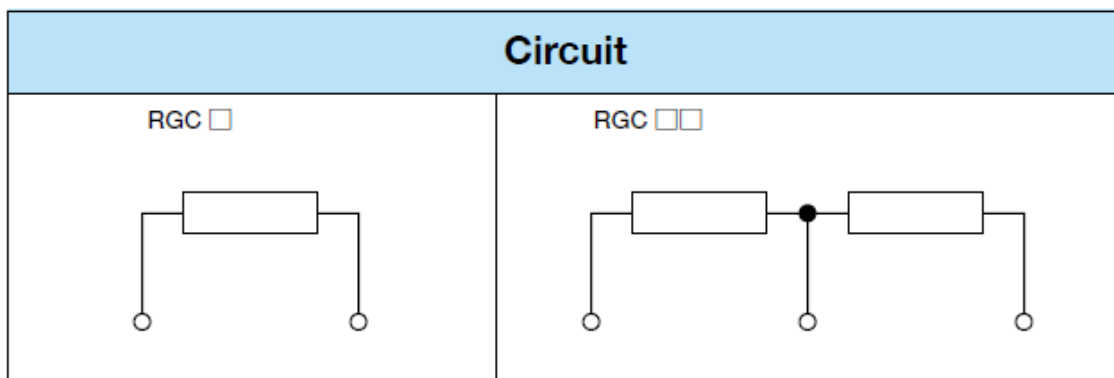
Mechanical Dimension:

Unit: mm



Model	Rated Power (W)	Resistance Range (Ω)	Dimensions (mm)				Element count
			A	B	C	E	
RGC22T02	2+2	0.1, 0.12, 0.15, 0.18, 0.22, 0.27, 0.33, 0.39, 0.47, 0.56, 0.68, 0.82, 1 Ω	5	9	26	15	Twin
RGC33T02	3+3		5	13	26	15	
RGC55T02	5+5		5	17	26	15	
RGC77 □ T02 RGC77 □ 02T02	7+7	0.1, 0.12, 0.15, 0.18, 0.22, 0.27, 0.33, 0.39 Ω 10, 15, 20, 25, 30, 40, 50, 60, 70, 80, 90 m Ω (low-resistance)	5	20	26	15	Twin
RGC2202T02	2+2		5	9	26	15	
RGC3302T02	3+3		5	13	26	15	
RGC5502T02	5+5		5	17	26	15	
RGC77102T02	7+7	5	20	26	15		

Circuit:



Ordering Information:

Part No	Resistance (Ω)	Power Rating (W)	SKU
RGC55-0.18 Ω K	0.18	5+5	RES1006
RGC55-0.22 Ω K	0.22	5+5	RES1505



Handsontec.com

We have the parts for your ideas

HandsOn Technology provides a multimedia and interactive platform for everyone interested in electronics. From beginner to diehard, from student to lecturer. Information, education, inspiration and entertainment. Analog and digital, practical and theoretical; software and hardware.



open source
hardware

HandsOn Technology support Open Source Hardware (OSHW) Development Platform.

Learn : Design : Share

handsontec.com



The Face behind our product quality...

In a world of constant change and continuous technological development, a new or replacement product is never far away – and they all need to be tested.

Many vendors simply import and sell without checks and this cannot be the ultimate interests of anyone, particularly the customer. Every part sell on Handsotec is fully tested. So when buying from Handsotec products range, you can be confident you're getting outstanding quality and value.

We keep adding the new parts so that you can get rolling on your next project.



www.handsontec.com

[Breakout Boards & Modules](#)



[Connectors](#)



www.handsontec.com

[Electro-Mechanical Parts](#)



www.handsontec.com

[Engineering Material](#)



www.handsontec.com

[Mechanical Hardware](#)



[Electronics Components](#)

P



www.handsontec.com

[Power Supply](#)



[Arduino Board & Shield](#)

[Tools & Accessory](#)



www.handsontec.com

[Tools & Accessory](#)