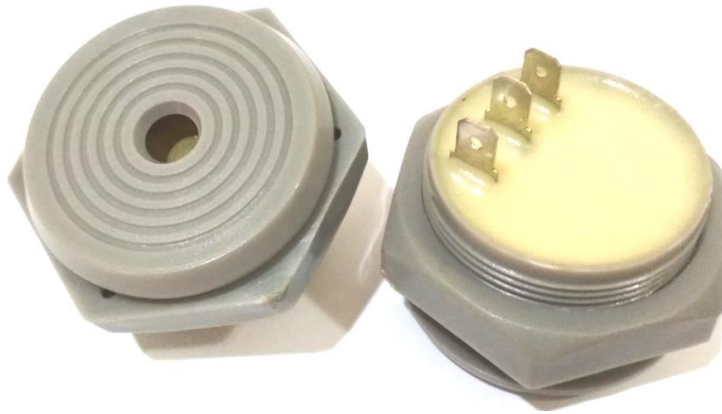




Data Specs

HT2735 High Sound Pressure Piezo Buzzer

Piezo buzzers are used for making beeps, tones and alerts. This is panel mount type with loud audio pressure output! Drive it with 3-20Vdc, with 3-Hz pulses beeping or constant beeping. Beeping sound is 3.5-KHz tone.

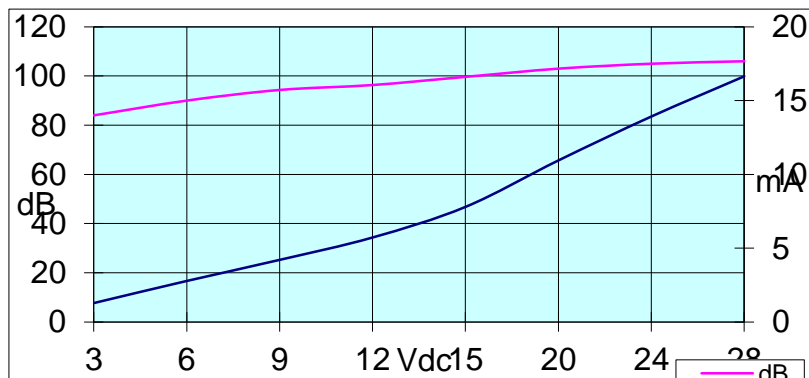


SKU: [PAX1172](#)

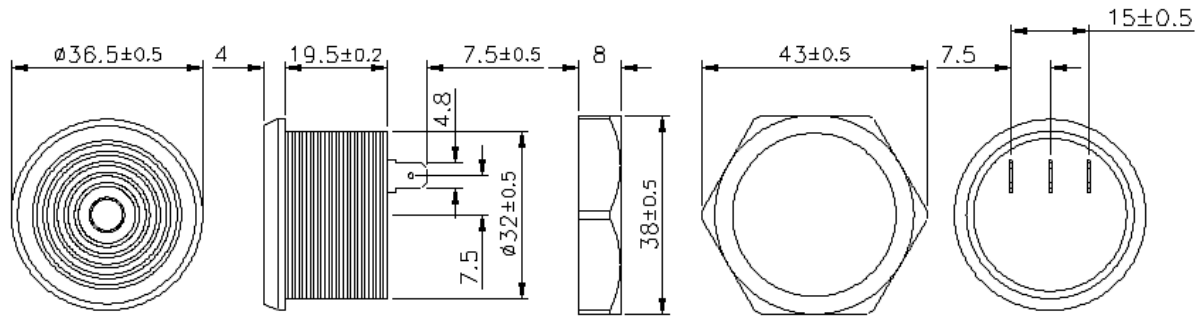
1. Electrical Characteristics:

Oscillation Frequency (KHz)	3.5 ±0.5
Operating Voltage (Vdc)	3 ~ 20
Rated Voltage (Vdc)	12
Current Consumption (mA/max.)	15 (at Rated Voltage)
Sound Pressure Level (dB/min.)	90 at 30cm at Rated Voltage
Tone/Pulse Rate (Hz)	Constant + Fast Pulse 3.0 ±20% at Rated Voltage
Operating Temperature (°C)	-20 ~ +70
Storage Temperature (°C)	-30 ~ +80

2. Voltage/ Current / Sound Pressure:

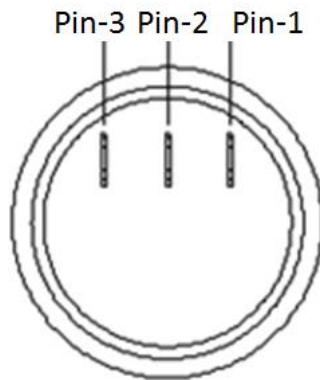


3. Dimensions and Material:



Housing	ABS 757 UL94HB plastic resin (Color : Gray/Milky)
Leading Pin	Tin Plated Brass
Weight (Gram)	20.8

4. Pin Assignment:



Bottom View

Pin-1	3~20V	Power Supply
Pin-2	GND	Pulses Beeping at 3Hz
Pin-3	GND	Constant Beeping



Handsontec.com

We have the parts for your ideas

HandsOn Technology provides a multimedia and interactive platform for everyone interested in electronics. From beginner to diehard, from student to lecturer. Information, education, inspiration and entertainment. Analog and digital, practical and theoretical; software and hardware.



open source
hardware

HandsOn Technology support Open Source Hardware (OSHW) Development Platform.

Learn : Design : Share

www.handsontec.com

The Face behind our product quality...

In a world of constant change and continuous technological development, a new or replacement product is never far away – and they all need to be tested.

Many vendors simply import and sell without checks and this cannot be the ultimate interests of anyone, particularly the customer. Every part sell on Handsotec is fully tested. So when buying from Handsotec products range, you can be confident you're getting outstanding quality and value.

We keep adding the new parts so that you can get rolling on your next project.



www.handsontec.com

[Breakout Boards & Modules](#)



[Connectors](#)



www.handsontec.com

[Electro-Mechanical Parts](#)



www.handsontec.com

[Engineering Material](#)



www.handsontec.com

[Mechanical Hardware](#)



[Electronics Components](#)

P



www.handsontec.com

[Power Supply](#)



[Arduino Board & Shield](#)

Tools & Accessory



www.handsontec.com

[Tools & Accessory](#)