



Capacitive Touch Sensor Relay Module

This is capacitive touch sensor relay module based on TPP223 sensor IC. The output state of the relay will toggle between the previous states with each touch of the capacitive sensor area. This touch sensor relay module can be activated on the bare tinned copper pad or on the back of PCB.



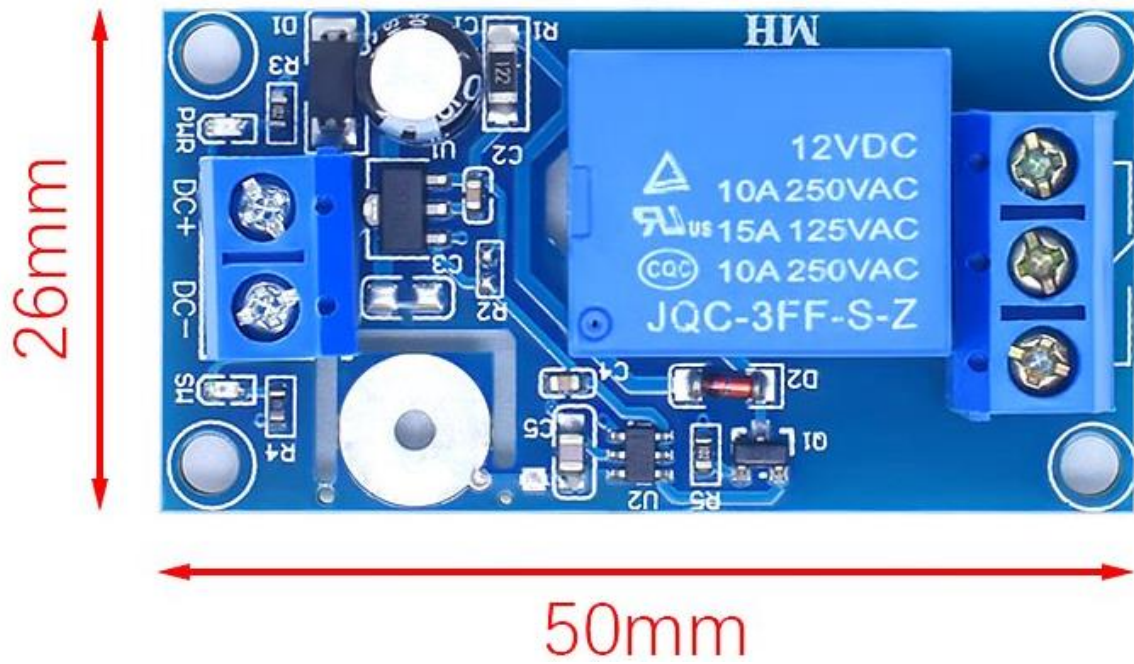
SKU: [MDU1137](#)

Brief Data:

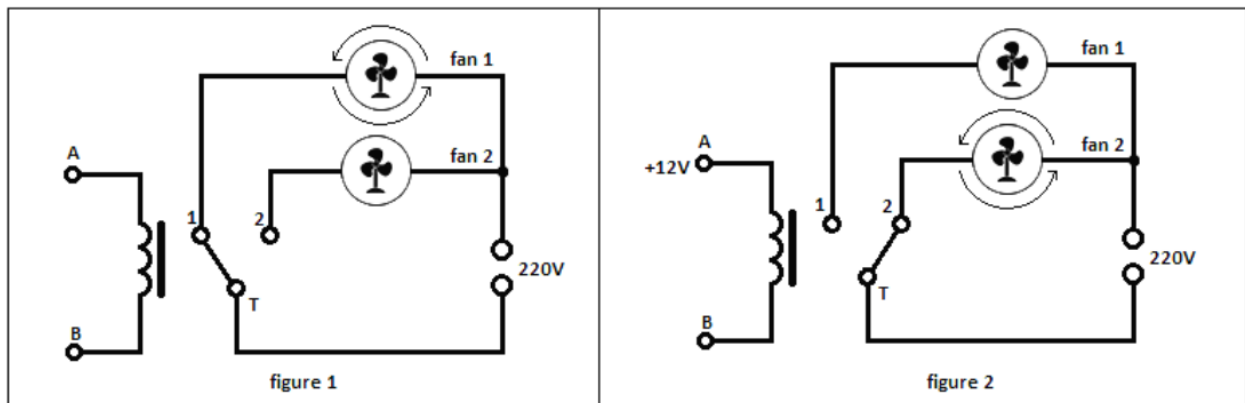
- Operating Voltage: 10~12Vdc.
- Operating Current: 40mA.
- Standby Current: 6mA.
- Relay Configuration: Single Pole Double Throw (SPDT).
- Relay Maximum output: AC 250V/10A.
- Touch Sensor Type: Capacitive.
- Touch Sensor Position: Double Size.
- Touch Sensor Configuration: Latching.

Mechanical Dimension:

Unit: mm



SPDT Relay



Output Relay Connection Examples

Related Information:

- [2-Channel Solid State Relay \(SSR\) Module 2A-240VAC](#)
- [30A High Power Optical Isolated Relay Module](#)
- [4-Channel 5V Optical Isolated Relay Module](#)
- [8 Channel 5V Optical Isolated Relay Module](#)
- [Photosensitive Light Activate Relay Module](#)



Handsontec.com

We have the parts for your ideas

HandsOn Technology provides a multimedia and interactive platform for everyone interested in electronics. From beginner to diehard, from student to lecturer. Information, education, inspiration and entertainment. Analog and digital, practical and theoretical; software and hardware.



open source
hardware

HandsOn Technology support Open Source Hardware (OSHW) Development Platform.

Learn : Design : Share

www.handsontec.com



The Face behind our product quality...

In a world of constant change and continuous technological development, a new or replacement product is never far away – and they all need to be tested.

Many vendors simply import and sell without checks and this cannot be the ultimate interests of anyone, particularly the customer. Every part sell on Handsotec is fully tested. So when buying from Handsotec products range, you can be confident you're getting outstanding quality and value.

We keep adding the new parts so that you can get rolling on your next project.



www.handsontec.com

[Breakout Boards & Modules](#)



[Connectors](#)



www.handsontec.com

[Electro-Mechanical Parts](#)



www.handsontec.com

[Engineering Material](#)



www.handsontec.com

[Mechanical Hardware](#)



[Electronics Components](#)

P



www.handsontec.com

[Power Supply](#)



[Arduino Board & Shield](#)

[Tools & Accessory](#)



www.handsontec.com

[Tools & Accessory](#)