



Ø85mm High Grip Rubber Wheels for RC Car

This is Ø85mm rubber wheel for DIY RC car project. The wheels rim is made of the reinforced nylon material. The rubber of the wheels is high quality with spike for high grip anti-skid. You can find the matching motor shaft coupler for Ø5~Ø8mm shaft motors. With these wheels you will be able to get almost any beginners RC car project moving.



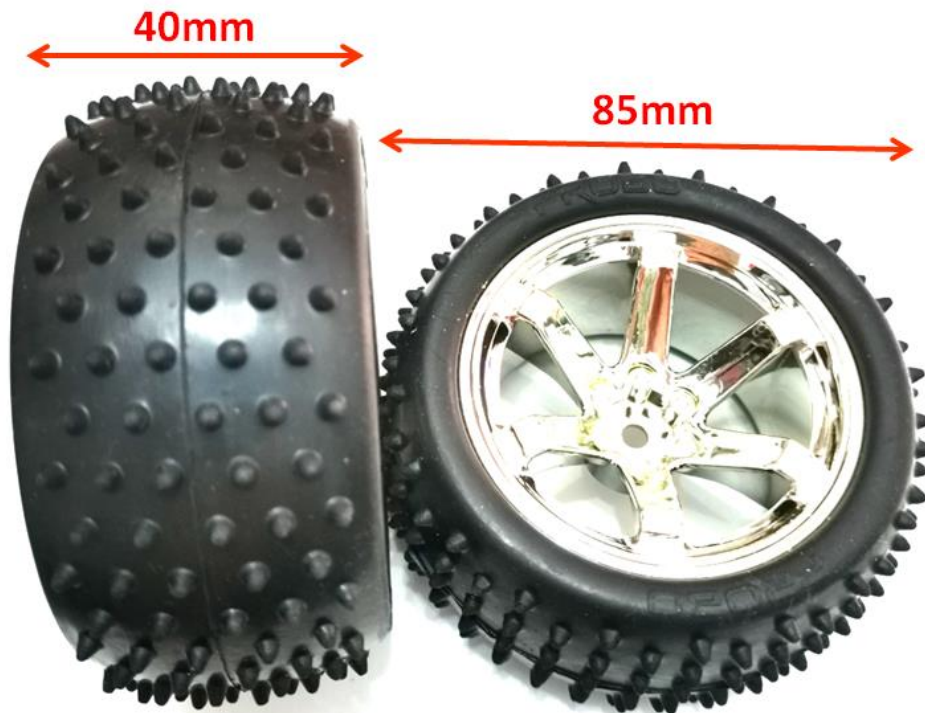
SKU: [ROB1009](#)

Brief Data:

- Rubber Material: Soft Rubber.
- Wheel Outer Diameter: Ø85mm.
- Rim Colour: Silver.
- Rim Material: Nylon.
- Wheel Width: 40mm.
- Spike surface for high grip anti-skid.
- Matching motor hex shaft coupler for 5~8mm.
- Motor Mounting with Hexagon Shaft Coupler.
- Weight: ~58g.

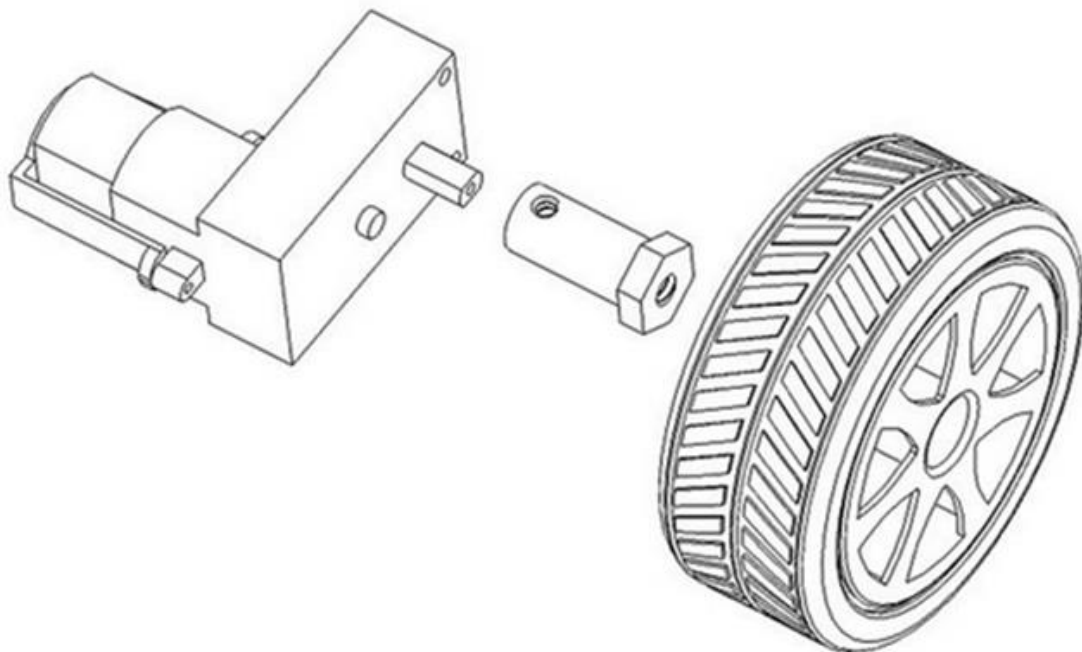
Mechanical Dimensions:

Unit: mm



Application Example:

Example of wheel mounting to motor with hexagon motor shaft coupler.



Wheel fitted with Motor Shaft Coupler:





Handsontec.com

We have the parts for your ideas

HandsOn Technology provides a multimedia and interactive platform for everyone interested in electronics. From beginner to diehard, from student to lecturer. Information, education, inspiration and entertainment. Analog and digital, practical and theoretical; software and hardware.



open source
hardware

HandsOn Technology support Open Source Hardware (OSHW) Development Platform.

Learn : Design : Share

www.handsontec.com



The Face behind our product quality...

In a world of constant change and continuous technological development, a new or replacement product is never far away – and they all need to be tested.

Many vendors simply import and sell without checks and this cannot be the ultimate interests of anyone, particularly the customer. Every part sell on Handsotec is fully tested. So when buying from Handsotec products range, you can be confident you're getting outstanding quality and value.

We keep adding the new parts so that you can get rolling on your next project.



www.handsontec.com

[Breakout Boards & Modules](#)



[Connectors](#)



www.handsontec.com

[Electro-Mechanical Parts](#)



www.handsontec.com

[Engineering Material](#)



www.handsontec.com

[Mechanical Hardware](#)



[Electronics Components](#)

P



www.handsontec.com

[Power Supply](#)



[Arduino Board & Shield](#)

[Tools & Accessory](#)



www.handsontec.com

[Tools & Accessory](#)