



Mecanum Wheels 80mm

This is 80mm rubber omni-directional wheel for DIY robotics car project. The wheels rim is made of the reinforced nylon material. The rubber of the wheels is high quality. It is wear-resistance and deep groove for high grip anti-skid. You can find the matching motor shaft coupler for $\text{Ø}5\sim\text{Ø}8\text{mm}$ shaft motors. With these wheels you will be able to get almost any beginners robot project moving.



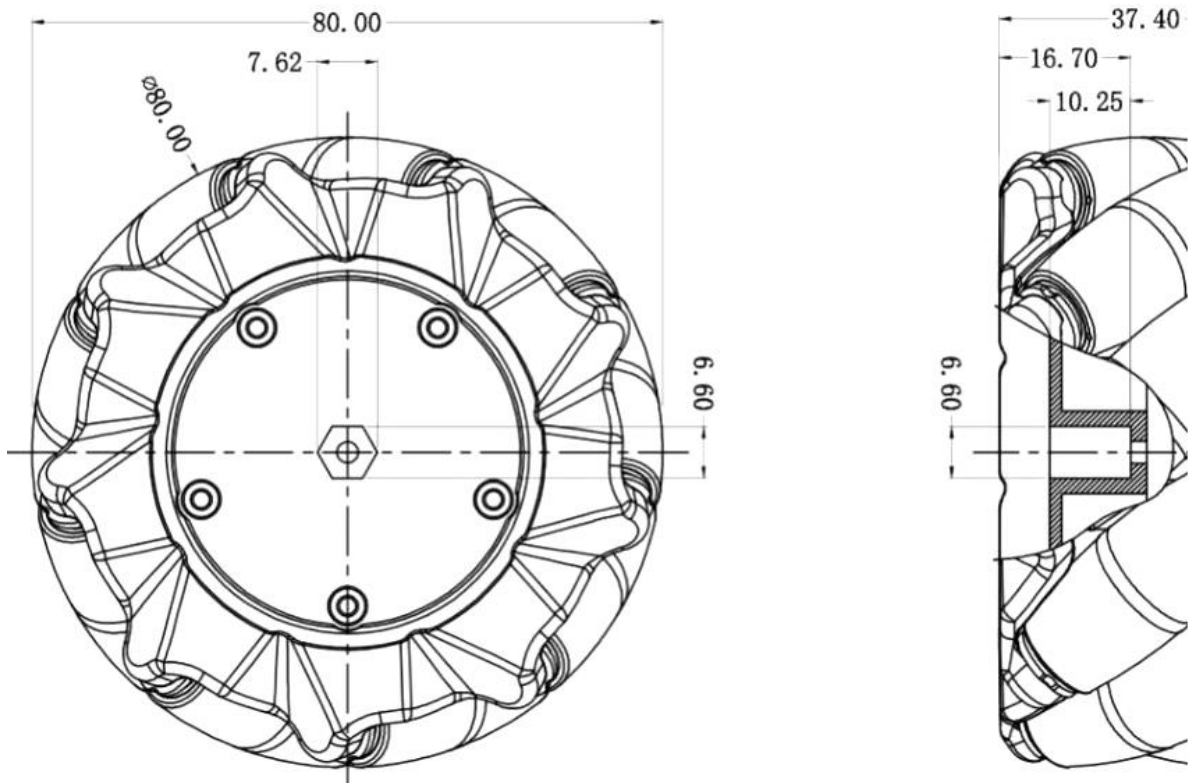
SKU: [ROB1000](#)

Brief Data:

- Item Name: Mecanum Wheel.
- Wheel Type: Right & Left.
- Inner diameter: $\text{Ø}6.5\text{mm}$.
- Outer wheel diameter: $\text{Ø}80\text{mm}$.
- Thickness: 37mm.
- Number of sub-wheels: 9.
- Weight: 100g (single).
- Load Capacity: $\sim 10\text{kg}$ (4 together).

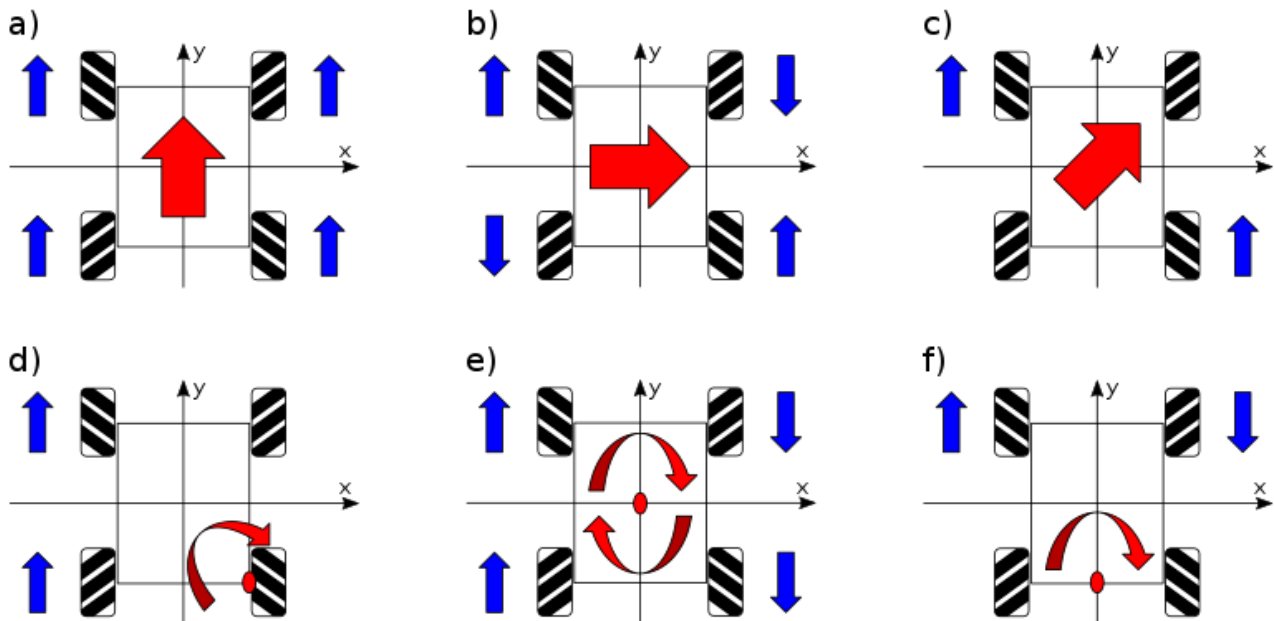
Mechanical Dimensions:

Unit: mm



Application Note:

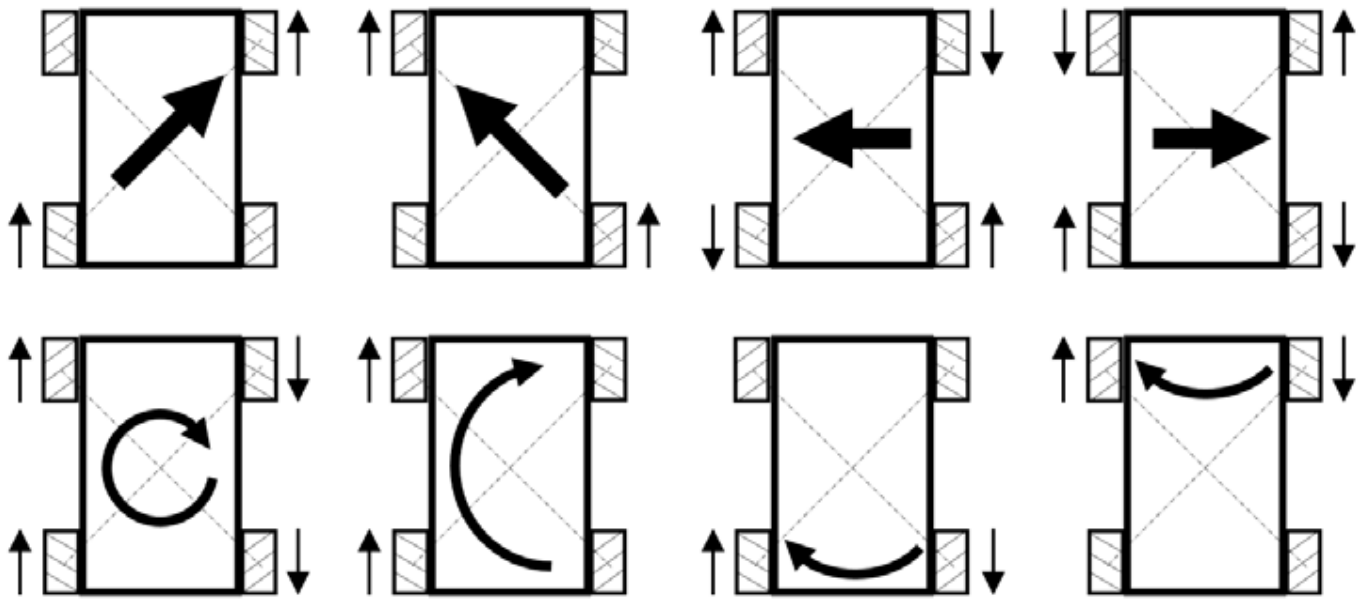
The mecanum wheel is a form of tireless wheel, with a series of rubberized external rollers obliquely attached to the whole circumference of its rim. These rollers typically each have an axis of rotation at 45° to the wheel plane and at 45° to the axle line. Each Mecanum wheel is an independent non-steering drive wheel with its own powertrain, and when spinning generates a propelling force perpendicular to the roller axle, which can be vectored into a longitudinal and a transverse component in relation to the vehicle.



Movements to any directions:

blue: wheel drive direction; red: vehicle moving direction

- a) Moving straight ahead,
- b) Moving sideways,
- c) Moving diagonally,
- d) Moving around a bend,
- e) Rotation,
- f) Rotation around the central point of one axle





Handsontec.com

We have the parts for your ideas

HandsOn Technology provides a multimedia and interactive platform for everyone interested in electronics. From beginner to diehard, from student to lecturer. Information, education, inspiration and entertainment. Analog and digital, practical and theoretical; software and hardware.



open source
hardware

HandsOn Technology support Open Source Hardware (OSHW) Development Platform.

Learn : Design : Share

www.handsontec.com



The Face behind our product quality...

In a world of constant change and continuous technological development, a new or replacement product is never far away – and they all need to be tested.

Many vendors simply import and sell without checks and this cannot be the ultimate interests of anyone, particularly the customer. Every part sell on Handsotec is fully tested. So when buying from Handsotec products range, you can be confident you're getting outstanding quality and value.

We keep adding the new parts so that you can get rolling on your next project.



www.handsontec.com

[Breakout Boards & Modules](#)



[Connectors](#)



www.handsontec.com

[Electro-Mechanical Parts](#)



[Engineering Material](#)



www.handsontec.com

[Mechanical Hardware](#)



[Electronics Components](#)

P



www.handsontec.com

[Power Supply](#)



[Arduino Board & Shield](#)

[Tools & Accessory](#)



www.handsontec.com

[Tools & Accessory](#)