



Data Specs

T Slot Sliding Nut for 4040 Aluminum Profile

These are pre-insertion T Slot Nuts that can be added along the slot of compatible extrusions/profile. They can be easily place in the building process. This sliding nut is installed by placing them in the profile/extrusion-Slot. This nut to be inserted into profile slot before assembly.



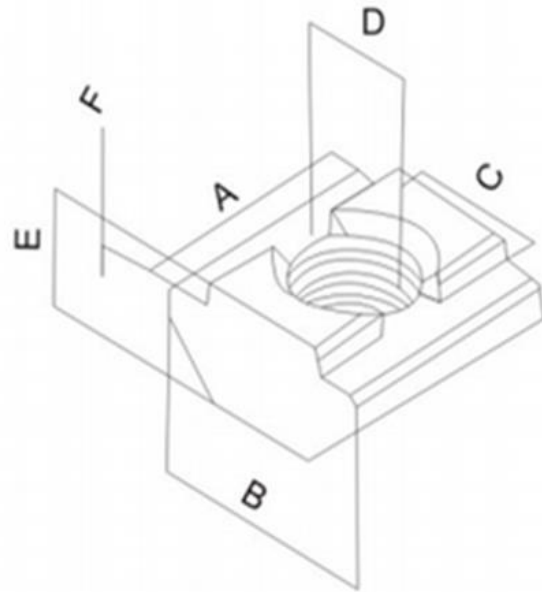
SKU: [FAS1414](#)

Brief Data:

- Aluminum Profile Size: 4040.
- Thread Size: M6, M8.
- Length: 20mm.
- Width: 20mm.
- Height: 9mm.
- Slot Width: 8mm.
- Head Shape: Hammer.
- Material: Stainless Steel.
- Finish: Zinc Plated.
- Thread Type: Metric.
- Weight: 16g.

Mechanical Dimension:

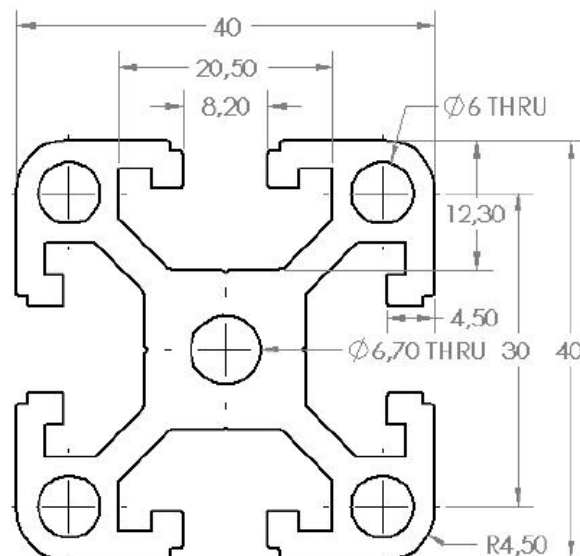
Unit: mm



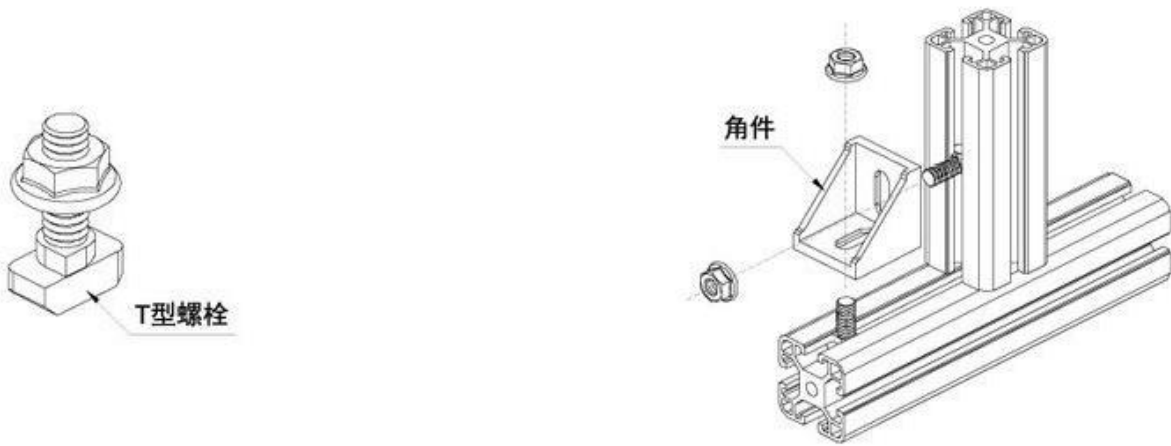
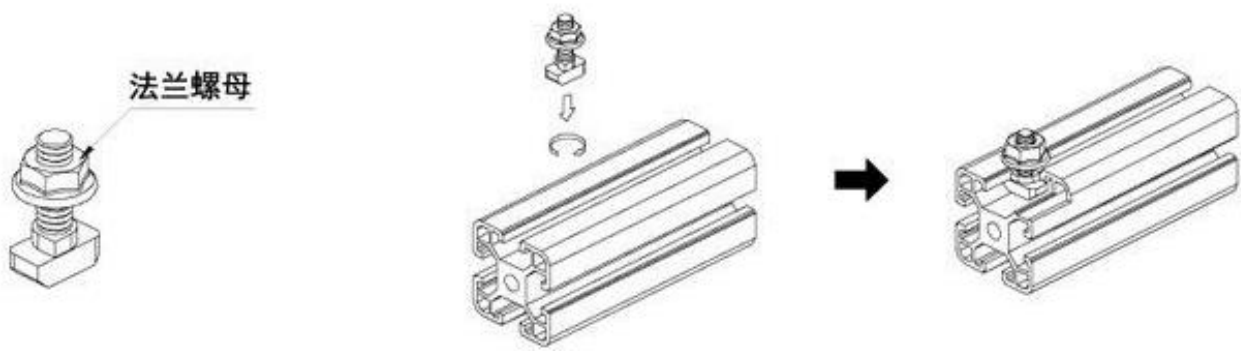
Model	A	B	C	D	E	F	SKU
4040-M6	20	20	8	M6	9	3	FAS1414
4040-M8	20	20	8	M8	9	3	FAS1415

Profile Dimension:

Unit: mm



Application Examples:





Handsontec.com

We have the parts for your ideas

HandsOn Technology provides a multimedia and interactive platform for everyone interested in electronics. From beginner to diehard, from student to lecturer. Information, education, inspiration and entertainment. Analog and digital, practical and theoretical; software and hardware.

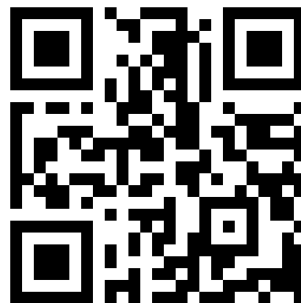


open source
hardware

HandsOn Technology support Open Source Hardware (OSHW) Development Platform.

Learn : Design : Share

handsontec.com



The Face behind our product quality...

In a world of constant change and continuous technological development, a new or replacement product is never far away – and they all need to be tested.

Many vendors simply import and sell without checks and this cannot be the ultimate interests of anyone, particularly the customer. Every part sell on Handsotec is fully tested. So when buying from Handsotec products range, you can be confident you're getting outstanding quality and value.

We keep adding the new parts so that you can get rolling on your next project.



www.handsontec.com

[Breakout Boards & Modules](#)



[Connectors](#)



www.handsontec.com

[Electro-Mechanical Parts](#)



www.handsontec.com

[Engineering Material](#)



www.handsontec.com

[Mechanical Hardware](#)



[Electronics Components](#)



www.handsontec.com

[Power Supply](#)



[Arduino Board & Shield](#)

[Tools & Accessory](#)



www.handsontec.com

[Tools & Accessory](#)