



Data Specs

M8 Star Handle Knob - Hand Tighten Clamping Screw

Use this hands knob screw to quickly install or adjust factory fittings. It's a multi-purpose screwing tool that does away with the need for other tightening tools such as hex keys or screw driver. An ergonomic star-shaped handle allows for convenient gripping and turning, while its soft-touch outer casing is gentle on your hands. You can use this tool in a wide variety of factory applications where equipment or machinery needs to be frequently reset or maintained.



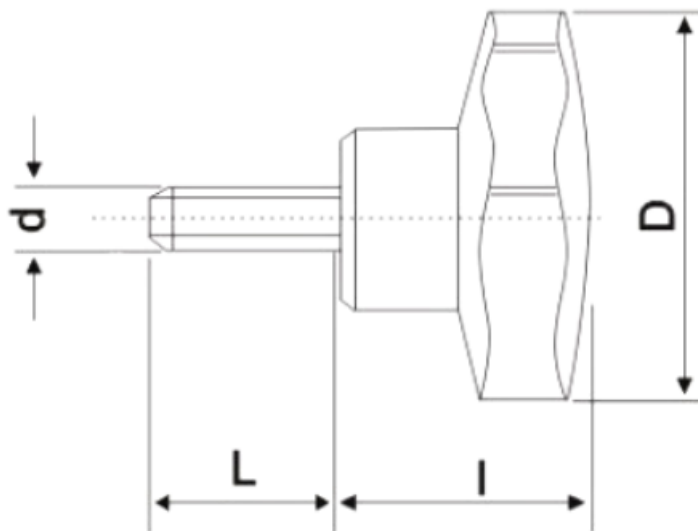
SKU: FAS1439

Brief Data:

- Thread: M8.
- Major Diameter: (Ø7.8~Ø7.9) mm.
- Thread Pitch: 1.25mm.
- Thread Length: (16~35)mm.
- Knob Shape: Star Multiple Lobes.
- Knob Diameter D: 30mm.
- Insert Material: Steel.
- Color: Black.

Mechanical Dimension:

Unit: mm



Model	Screw Size	D	D	Length L	Thread Pitch	I	SKU
M8x30	M8	38	7.8~7.9	30	1.25mm	22	FAS1439



Handsontec.com

We have the parts for your ideas

HandsOn Technology provides a multimedia and interactive platform for everyone interested in electronics. From beginner to diehard, from student to lecturer. Information, education, inspiration and entertainment. Analog and digital, practical and theoretical; software and hardware.

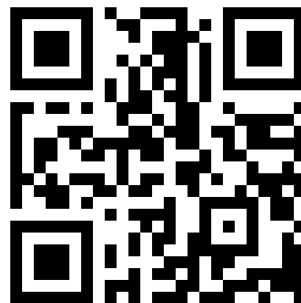


open source
hardware

HandsOn Technology support Open Source Hardware (OSHW) Development Platform.

Learn : Design : Share

handsontec.com



The Face behind our product quality...

In a world of constant change and continuous technological development, a new or replacement product is never far away – and they all need to be tested.

Many vendors simply import and sell without checks and this cannot be the ultimate interests of anyone, particularly the customer. Every part sell on Handsotec is fully tested. So when buying from Handsotec products range, you can be confident you're getting outstanding quality and value.

We keep adding the new parts so that you can get rolling on your next project.



www.handsontec.com

[Breakout Boards & Modules](#)



[Connectors](#)



www.handsontec.com

[Electro-Mechanical Parts](#)



www.handsontec.com

[Engineering Material](#)



www.handsontec.com

[Mechanical Hardware](#)



[Electronics Components](#)

P



www.handsontec.com

[Power Supply](#)



[Arduino Board & Shield](#)

Tools & Accessory



www.handsontec.com

[Tools & Accessory](#)