



## A2 Stainless Steel Plain Washer- Metric

Plain washers or flat washers as they are commonly referred to are standard spacing washers used on thousands of industrial and domestic applications. A plain washer (or 'flat washer') is a flat annulus or ring, often of metal, used to spread the load of a screwed fastening. Additionally, a plain washer may be used when the hole is a larger diameter than the fixing nut. Washers are used to distribute the force of the screw head of a screw or nut on a larger surface.



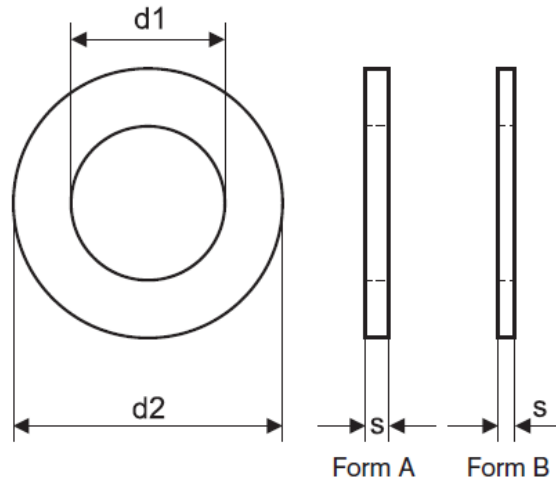
SKU: [FAS1180](#)

### **Brief Data:**

- Metric Size: M2.5 ~ M36.
- Finish: Plain.
- Stainless Steel Type: A2 (304).
- Metric to BS4320.

## Mechanical Dimension:

Unit: mm



### BS 4320 Dimensions of washers (Forms A and B)

Nominal size of bolt or screw	Inside diameter $d_1$			Outside diameter $d_2$			Thickness $s$					
							Form A (Normal range)			Form B (Normal range)		
	nom.	max.	min.	nom.	max.	min.	nom.	max.	min.	nom.	max.	min.
M3	3.2	3.4	3.2	7.0	7.0	6.7	0.5	0.6	0.4	-	-	-
M4	4.3	4.5	4.3	9.0	9.0	8.7	0.8	0.9	0.7	-	-	-
M5	5.3	5.5	5.3	10.0	10.0	9.7	1.0	1.1	0.9	-	-	-
M6	6.4	6.7	6.4	12.5	12.5	12.1	1.6	1.8	1.4	0.8	0.9	0.7
M8	8.4	8.7	8.4	17.0	17.0	16.6	1.6	1.8	1.4	1.0	1.1	0.9
M10	10.5	10.9	10.5	21.0	21.0	20.5	2.0	2.2	1.8	1.25	1.45	1.05
M12	13.0	13.4	13.0	24.0	24.0	23.5	2.5	2.7	2.3	1.6	1.8	1.4
(M14)	15.0	15.4	15.0	28.0	28.0	27.5	2.5	2.7	2.3	1.6	1.8	1.4
M16	17.0	17.4	17.0	30.0	30.0	29.5	3.0	3.3	2.7	2.0	2.2	1.8
(M18)	19.0	19.5	19.0	34.0	34.0	33.2	3.0	3.3	2.7	2.0	2.2	1.8
M20	21.0	21.5	21.0	37.0	37.0	36.2	3.0	3.3	2.7	2.0	2.2	1.8
(M22)	23.0	23.5	23.0	39.0	39.0	38.2	3.0	3.3	2.7	2.0	2.2	1.8
M24	25.0	25.5	25.0	44.0	44.0	43.2	4.0	4.3	3.7	2.5	2.7	2.3
(M27)	28.0	28.5	28.0	50.0	50.0	49.2	4.0	4.3	3.7	2.5	2.7	2.3
M30	31.0	31.6	31.0	56.0	56.0	55.0	4.0	4.3	3.7	2.5	2.7	2.3
(M33)	34.0	34.6	34.0	60.0	60.0	59.0	5.0	5.6	4.4	3.0	3.3	2.7
M36	37.0	37.6	37.0	66.0	66.0	65.0	5.0	5.6	4.4	3.0	3.3	2.7
(M39)	40.0	40.6	40.0	72.0	72.0	71.0	6.0	6.6	5.4	3.0	3.3	2.7



# Handsontec.com

*We have the parts for your ideas*

---

HandsOn Technology provides a multimedia and interactive platform for everyone interested in electronics. From beginner to diehard, from student to lecturer. Information, education, inspiration and entertainment. Analog and digital, practical and theoretical; software and hardware.



open source  
hardware

HandsOn Technology support Open Source Hardware (OSHW) Development Platform.

*Learn : Design : Share*

*handsontec.com*



**The Face behind our product quality...**

**In a world of constant change and continuous technological development, a new or replacement product is never far away – and they all need to be tested.**

**Many vendors simply import and sell without checks and this cannot be the ultimate interests of anyone, particularly the customer. Every part sell on Handsotec is fully tested. So when buying from Handsotec products range, you can be confident you're getting outstanding quality and value.**

**We keep adding the new parts so that you can get rolling on your next project.**



[www.handsontec.com](http://www.handsontec.com)

[Breakout Boards & Modules](#)



[Connectors](#)



[www.handsontec.com](http://www.handsontec.com)

[Electro-Mechanical Parts](#)



[www.handsontec.com](http://www.handsontec.com)

[Engineering Material](#)



[www.handsontec.com](http://www.handsontec.com)

[Mechanical Hardware](#)



[Electronics Components](#)

P



[www.handsontec.com](http://www.handsontec.com)

[Power Supply](#)



[Arduino Board & Shield](#)

Tools & Accessory



[www.handsontec.com](http://www.handsontec.com)

[Tools & Accessory](#)