



LJ12A3 Inductive Proximity Sensor – Metal Detector

The LJ12A3-4ZBX is an inductive proximity sensor which is used as an indicator of position or proximity of ferrous or metallic materials. It can be an excellent support in the design of sumo robots to detect the opponent, as well as in processes where it is required to count or detect metallic or ferrous objects. When the LJ2A3-4ZBX is close to a metallic object, its output sends a control signal in addition to having a status indicator LED which visually supports us in the detection. It can also be used as a turn counter in a gear or metal wheel.

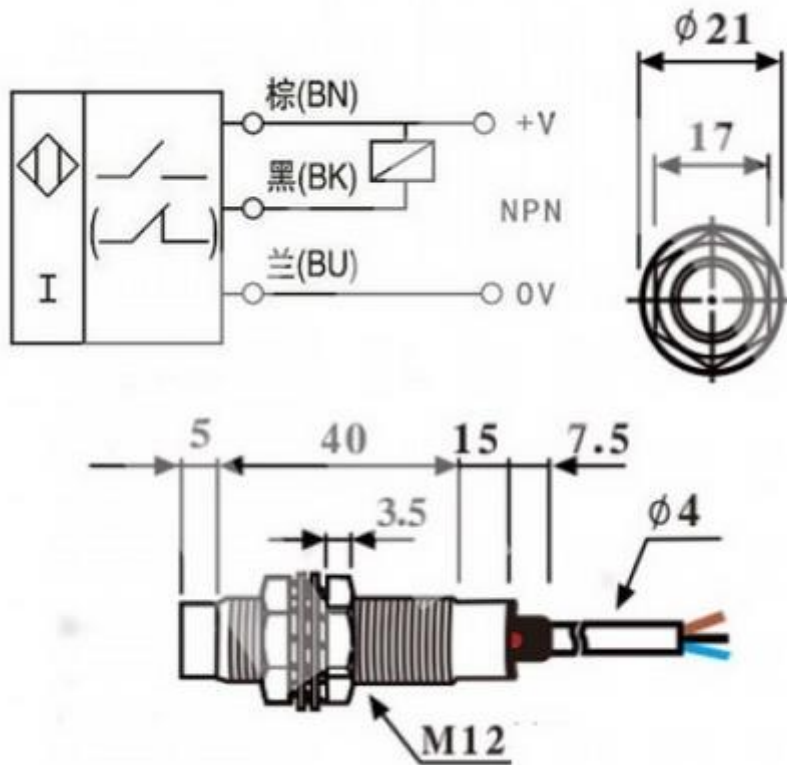


SKU: [SSR1035](#)

Brief Data:

- Working Voltage: 6V~36Vdc.
- Loaded Current: 300mA.
- Response Frequency: 500Hz.
- Detect Range: 0~4mm.
- Output Type: NPN Normally Open (NO).
- Working Environment Temperature: -25°C ~ + 70°C.
- Cable Length: 1.2meter.
- Protection degree: IP65.
- Body Material: Alloy & Plastic.
- Dimensions: Ø12mm x 62cm.
- Net Weight: 45g.

Mechanical Dimension:



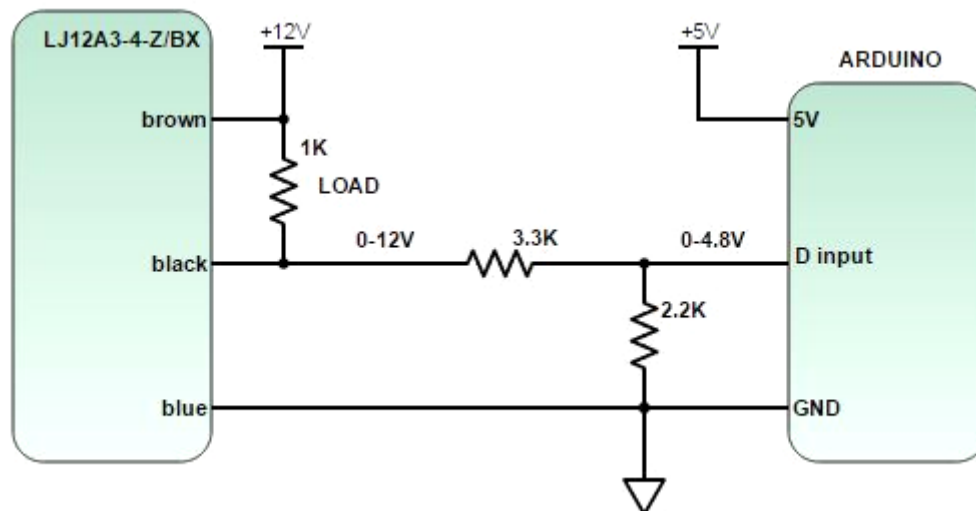
Construction:



Terminal Assignment:



How to Connect to Arduino Board ?





Handsontec.com

We have the parts for your ideas

HandsOn Technology provides a multimedia and interactive platform for everyone interested in electronics. From beginner to diehard, from student to lecturer. Information, education, inspiration and entertainment. Analog and digital, practical and theoretical; software and hardware.



open source
hardware

HandsOn Technology support Open Source Hardware (OSHW) Development Platform.

Learn : Design : Share

www.handsontec.com



The Face behind our product quality...

In a world of constant change and continuous technological development, a new or replacement product is never far away – and they all need to be tested.

Many vendors simply import and sell without checks and this cannot be the ultimate interests of anyone, particularly the customer. Every part sell on Handsotec is fully tested. So when buying from Handsotec products range, you can be confident you're getting outstanding quality and value.

We keep adding the new parts so that you can get rolling on your next project.



www.handsontec.com

[Breakout Boards & Modules](#)



[Connectors](#)



www.handsontec.com

[Electro-Mechanical Parts](#)



www.handsontec.com

[Engineering Material](#)



www.handsontec.com

[Mechanical Hardware](#)



[Electronics Components](#)

P



www.handsontec.com

[Power Supply](#)



[Arduino Board & Shield](#)

Tools & Accessory



www.handsontec.com

[Tools & Accessory](#)