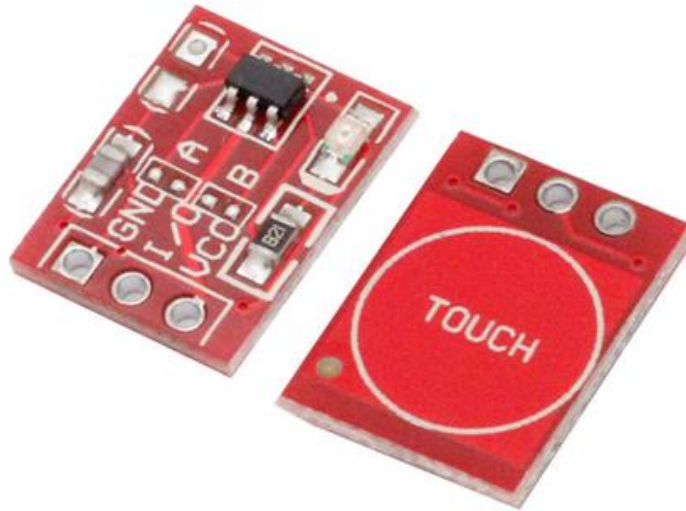




## TTP223B 1-Touch Capacitive Sensor Module

This module is based on capacitive touch-sensing IC TTP223B. This versatile small sensor board is user configurable with on-board shorting pads as activated Low or High, momentary or latching output to suit for various control requirements. This touching detection module is designed for replacing traditional mechanical button switch with diverse pad size with no wear and tear problem of mechanical switches.



**SKU: [SSR1034](#)**

### **Brief Data:**

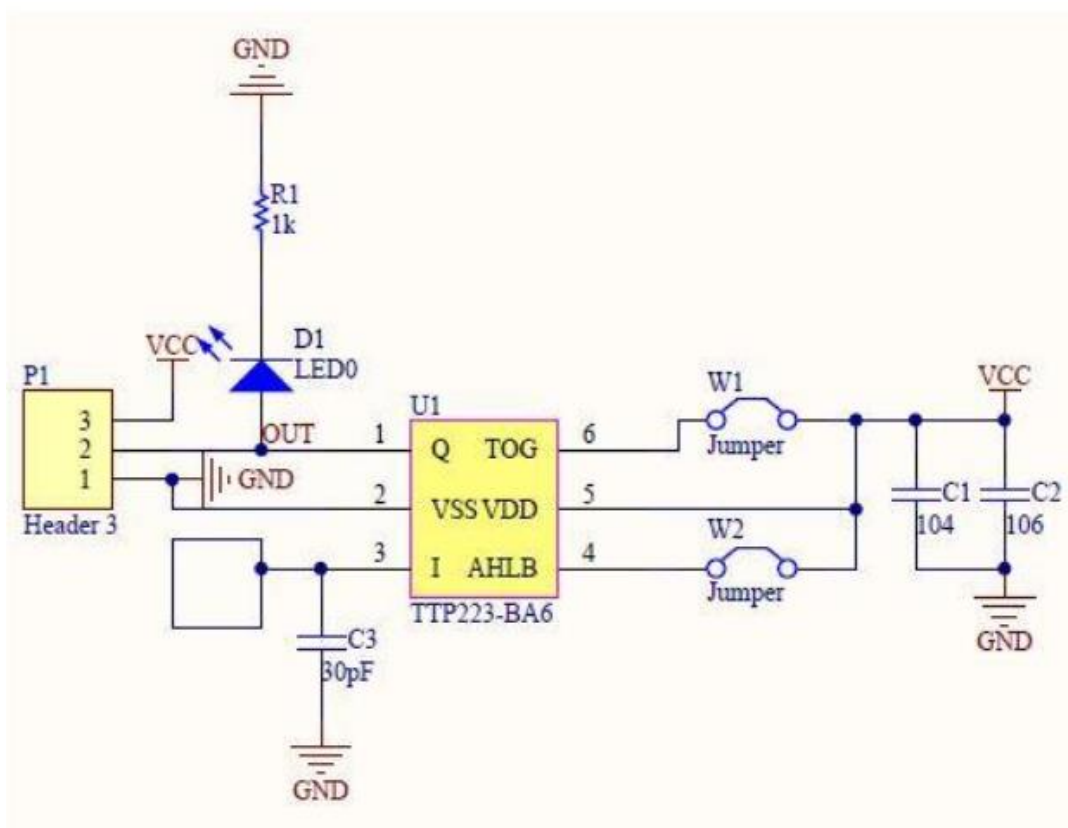
- Operating voltage: 2.0~5.5V.
- Operating current @VDD=3V: 1.5uA, maximum 3.0uA.
- Output Mode: User configurable set by 2 on-board shorting pads.
  - Active high or active low.
  - momentary or latching.
- Response time: 220mS max @ 3V.
- 2.54mm breadboard friendly header pin connector.
- Board Size (LxW): 14x10 mm.

## Mechanical Dimension:

Unit: mm



## Schematic:



## Mode of Operation:

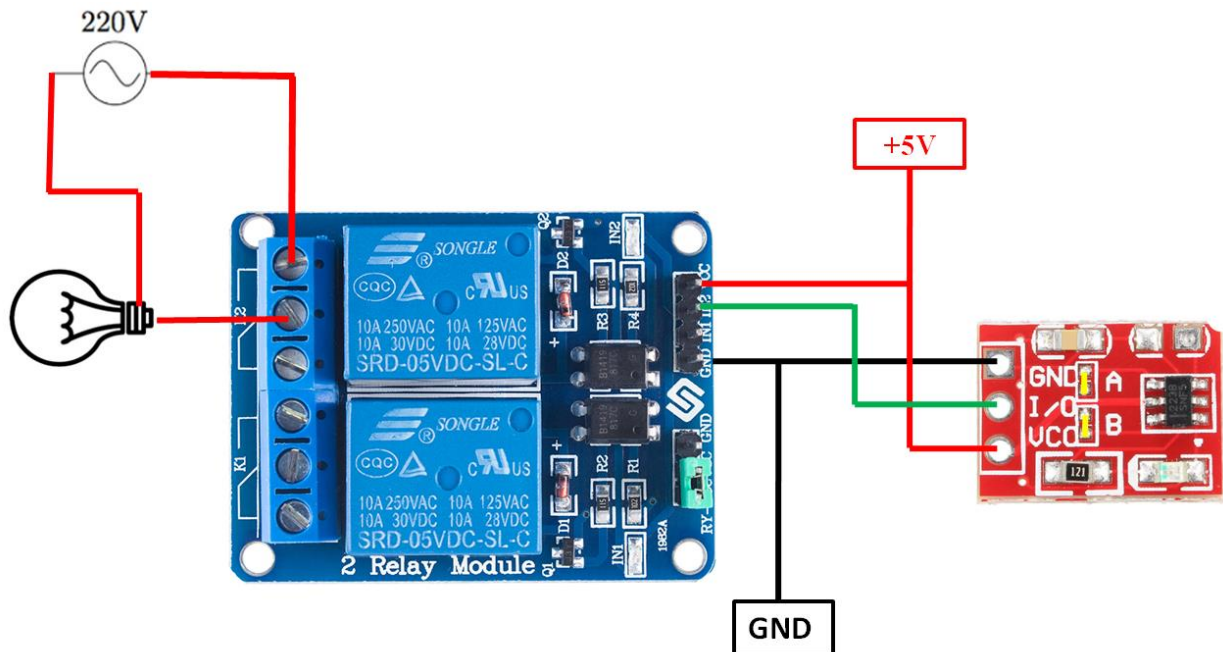


Output Mode ( Centre I/O Pin)	Pad A	Pad B
High Momentary	Open	Open
High Latching	Open	Short
Low Momentary	Short	Open
Low Latching	Short	Short

**Table-1: Output Mode Shorting Pad Setting**

## Application Examples:

1. Direct connect to Relay Boards for controlling heavy load or high voltage appliances.



In this case, the TTP223B module is configured to active low and latching type, with Pad A & B shorted. When the sensor is touched, it will switch On/Off the 5V optical relay board.



# Handsontec.com

**We have the parts for your ideas**

---

HandsOn Technology provides a multimedia and interactive platform for everyone interested in electronics. From beginner to diehard, from student to lecturer. Information, education, inspiration and entertainment. Analog and digital, practical and theoretical; software and hardware.

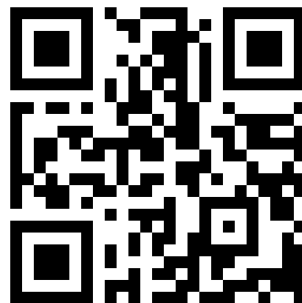


open source  
hardware

HandsOn Technology support Open Source Hardware (OSHW) Development Platform.

*Learn : Design : Share*

*handsontec.com*



**The Face behind our product quality...**

**In a world of constant change and continuous technological development, a new or replacement product is never far away – and they all need to be tested.**

**Many vendors simply import and sell without checks and this cannot be the ultimate interests of anyone, particularly the customer. Every part sell on Handsotec is fully tested. So when buying from Handsotec products range, you can be confident you're getting outstanding quality and value.**

**We keep adding the new parts so that you can get rolling on your next project.**



[www.handsontec.com](http://www.handsontec.com)

[Breakout Boards & Modules](#)



[Connectors](#)



[www.handsontec.com](http://www.handsontec.com)

[Electro-Mechanical Parts](#)



[Engineering Material](#)



[www.handsontec.com](http://www.handsontec.com)

[Mechanical Hardware](#)



[Electronics Components](#)

P



[www.handsontec.com](http://www.handsontec.com)

[Power Supply](#)



[Arduino Board & Shield](#)

[Tools & Accessory](#)



[www.handsontec.com](http://www.handsontec.com)

[Tools & Accessory](#)