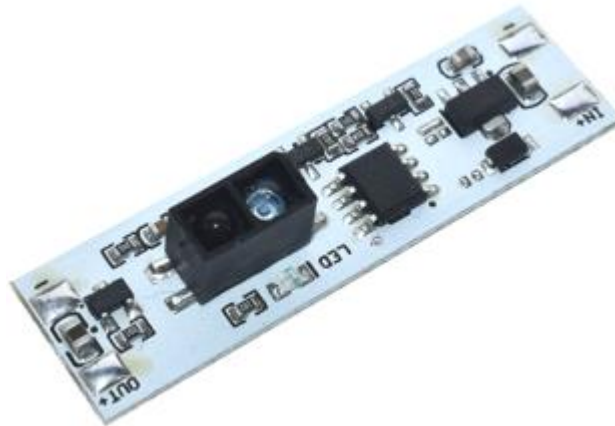




Hands Sweep/Scan Sensor Switch Module

This Hand Sweep Sensor used infrared distance sensing technology with sensing range of 10-80mm. Just wave your palm within the sensing range to activate the sensor. Suitable for on/off control of LED light in cupboard, wardrobe, and other non-contact application. No need to touch power switch, preventing electric shock and reducing germ infection. High sensitivity, quick response and stable operation.



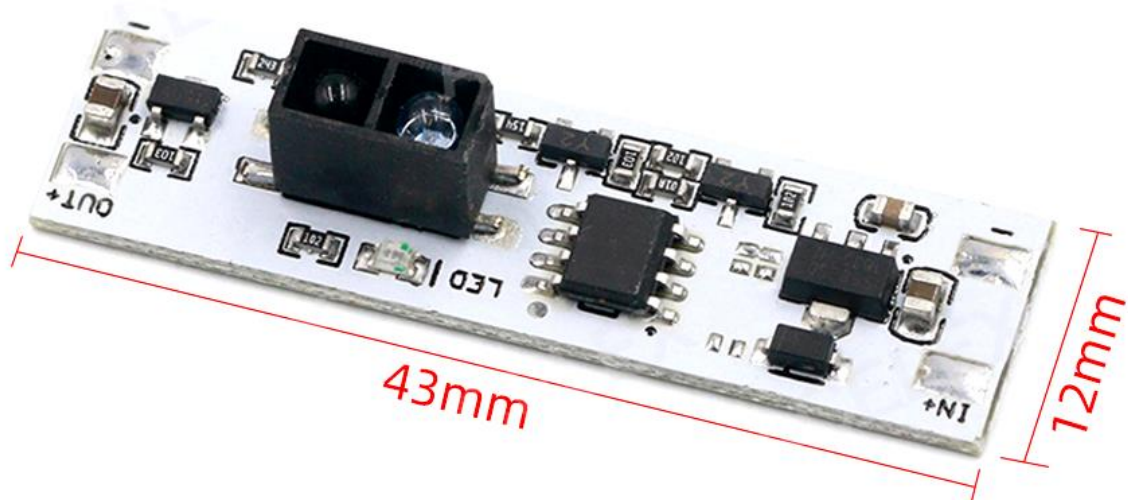
SKU: [SSR1066](#)

Brief Data:

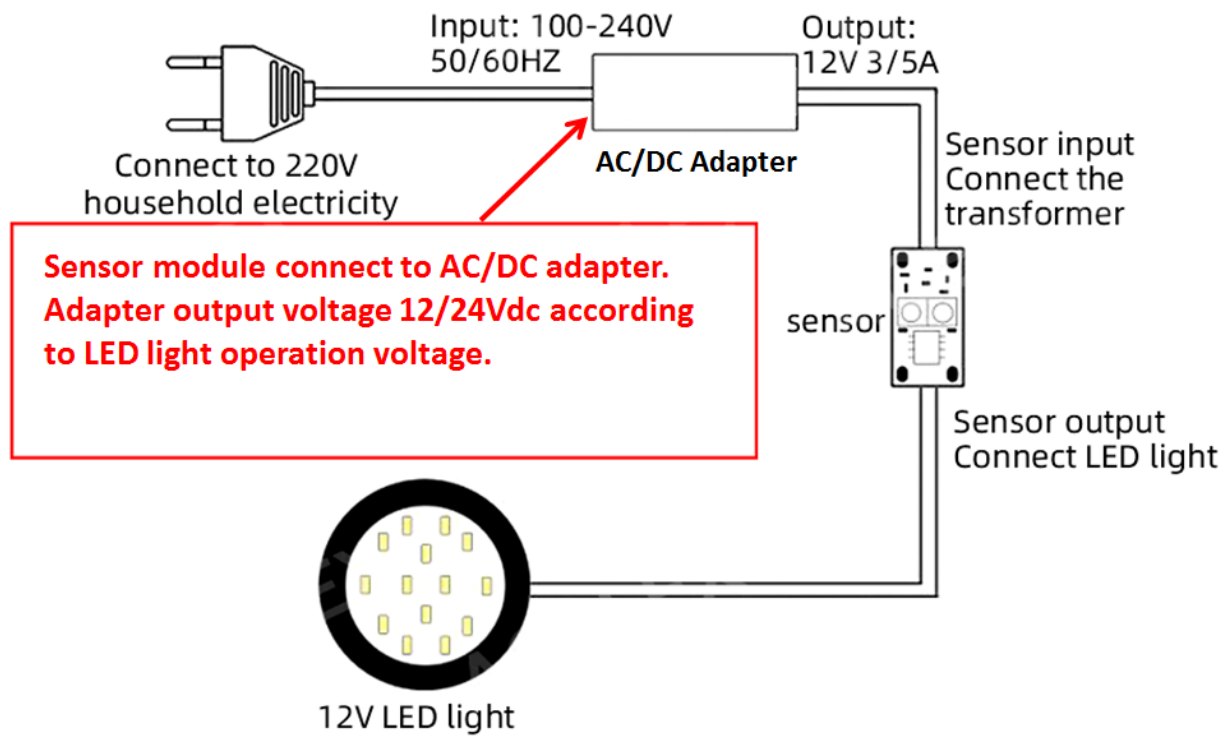
- Item Name: Hands Sweep Sensor Switch Module.
- Operating Voltage: 5~24Vdc.
- Sensing Element: Infrared Sensor (IR).
- Sensing Distance: (30~80) mm.
- Sensor Dimensions: (12x43) mm.
- Max Load Capacity: 60W.
- Switching Type: Non-Contact On/Off.
- Load Type: Only for resistive load, not for motor inductive load.

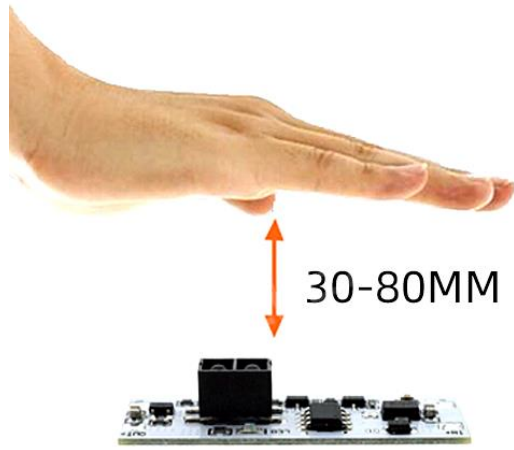
Mechanical Dimension:

Unit: mm



Wiring Example:







Handsontec.com

We have the parts for your ideas

HandsOn Technology provides a multimedia and interactive platform for everyone interested in electronics. From beginner to diehard, from student to lecturer. Information, education, inspiration and entertainment. Analog and digital, practical and theoretical; software and hardware.



open source
hardware

HandsOn Technology support Open Source Hardware (OSHW) Development Platform.

Learn : Design : Share

www.handsontec.com



The Face behind our product quality...

In a world of constant change and continuous technological development, a new or replacement product is never far away – and they all need to be tested.

Many vendors simply import and sell without checks and this cannot be the ultimate interests of anyone, particularly the customer. Every part sell on Handsotec is fully tested. So when buying from Handsontec products range, you can be confident you're getting outstanding quality and value.

We keep adding the new parts so that you can get rolling on your next project.



www.handsontec.com

[Breakout Boards & Modules](#)



[Connectors](#)



www.handsontec.com

[Electro-Mechanical Parts](#)



www.handsontec.com

[Engineering Material](#)



www.handsontec.com

[Mechanical Hardware](#)



[Electronics Components](#)

P



www.handsontec.com

[Power Supply](#)



[Arduino Board & Shield](#)

Tools & Accessory



www.handsontec.com

[Tools & Accessory](#)