

## SK Series Shaft Holder

Anodized Aluminum Alloy SK Series Shaft Holder is designed for use in small CNC machines, linear stages, 3D printers and other devices that utilize linear shafts. Use to fix the both sides of linear rail shaft.



### Brief Data:

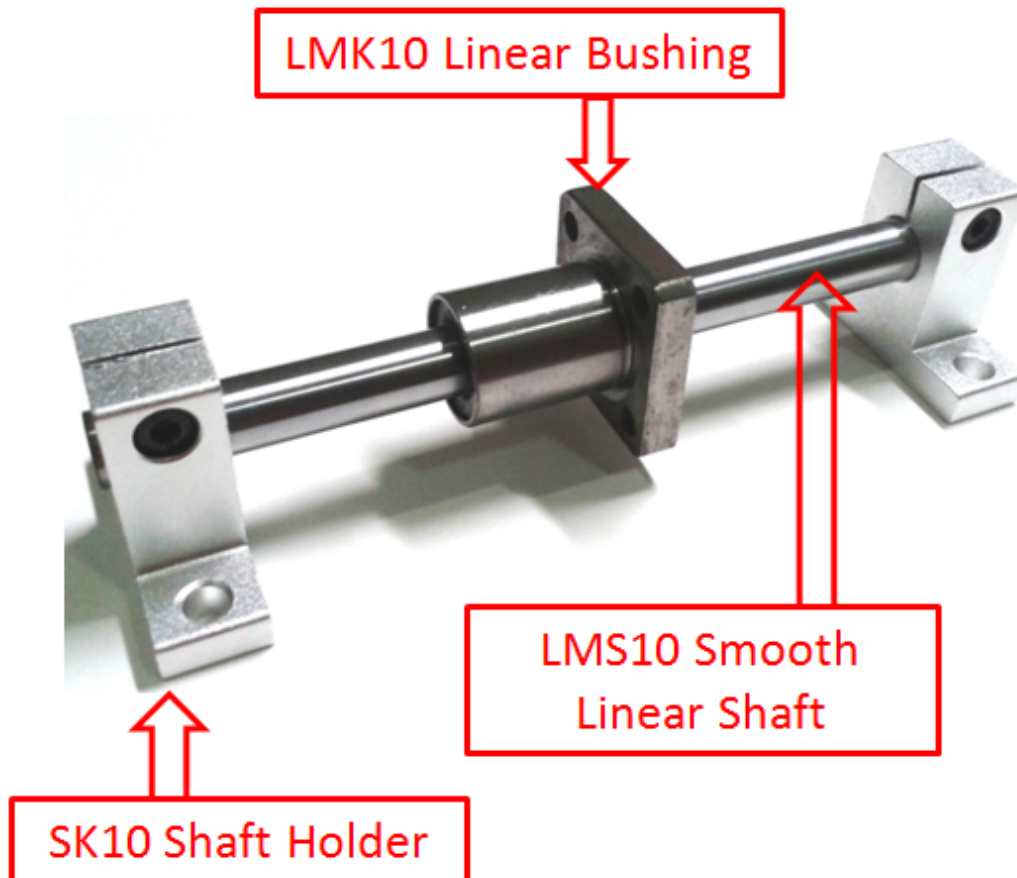
- Precision CNC machined.
- Hex type bolt for clamping the shaft.
- Silver brushed aluminum finish.
- Perfect for your DIY CNC routers, mills, lathes.
- For 8~30mm shafts.
- Suits X, Y or Z axis linear motion application.
- Supply in 2-pieces per pack (one for each end of shaft)

### Application:

- 3D Printer
- DIY CNC Machine & Robotics
- Linear Motion
- Robotics

**Application Example:**

Ø10mm Linear Motion Application examples for i.e. robotics, 3D-Printer & CNC Machine.

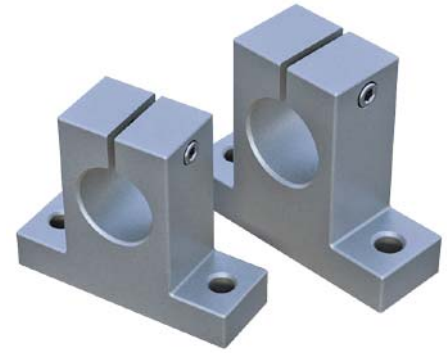


[www.handsontec.com](http://www.handsontec.com)

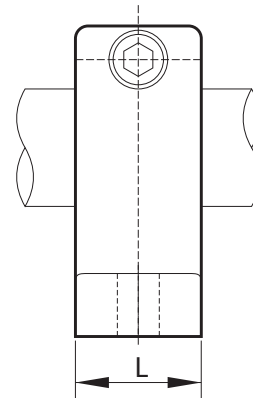
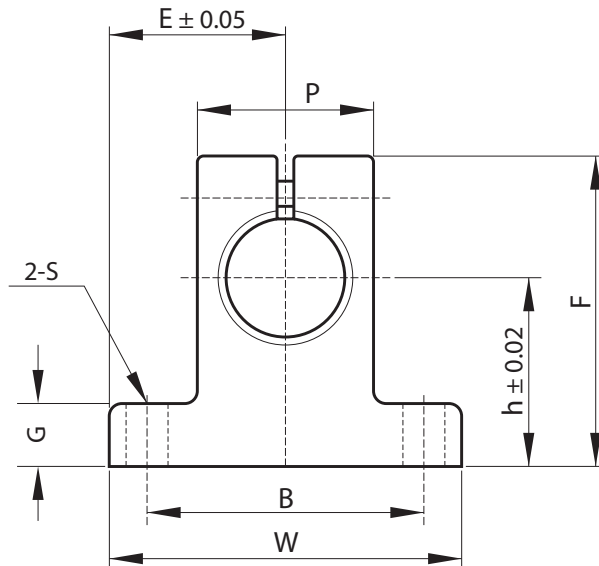
# Shaft End Support

## SK

Shaht supporter



material : aluminum alloy



MODEL NO	SHAFT diameter	MAIN DIMENSIONS									Designation of Clamping Blot	Designation of Mounting Blot	Weight (g)
		H	E	W	L	F	G	P	B	S			
SK03	3	20	21	42	14	32.8	6	18	32	5.5	M4	M5	24
SK04	4	20	21	42	14	32.8	6	18	32	5.5	M4	M5	24
SK05	5	20	21	42	14	32.8	6	18	32	5.5	M4	M5	24
SK06	6	20	21	42	14	32.8	6	18	32	5.5	M4	M5	24
SK08	8	20	21	42	14	32.8	6	18	32	5.5	M4	M5	24
SK10	10	20	21	42	14	32.8	6	18	32	5.5	M4	M5	24
SK12	12	23	21	42	14	37.5	6	20	32	5.5	M4	M5	30
SK13	13	23	21	42	14	37.5	6	20	32	5.5	M4	M5	30
SK16	16	27	24	48	16	44	8	25	38	5.5	M4	M5	40
SK20	20	31	30	60	20	51	10	30	45	6.6	M5	M6	70
SK25	25	35	35	70	24	60	12	38	56	6.6	M6	M6	130
SK30	30	42	42	84	28	70	12	44	64	9	M6	M8	180
SK35	35	50	49	98	32	82	15	50	74	11	M8	M10	270
SK40	40	60	57	114	36	96	15	60	90	11	M8	M10	420
SK50	50	70	63	126	40	120	18	74	100	14	M12	M12	750
SK60	60	80	74	148	45	136	18	90	120	14	M12	M12	1100

