



Data Specs

KCD15-103 10A~250V SPDT 3 Position Rocker Switch

3 Position ON-OFF-ON Rocker Switch. Suitable for use in Hair Dryer, water dispensers, electric cars, motorcycles, household appliances and general industrial electronic equipment and instruments. This switch features a latching center-switching action. This means it's switched off by the user and then remains off until it's switched on again.



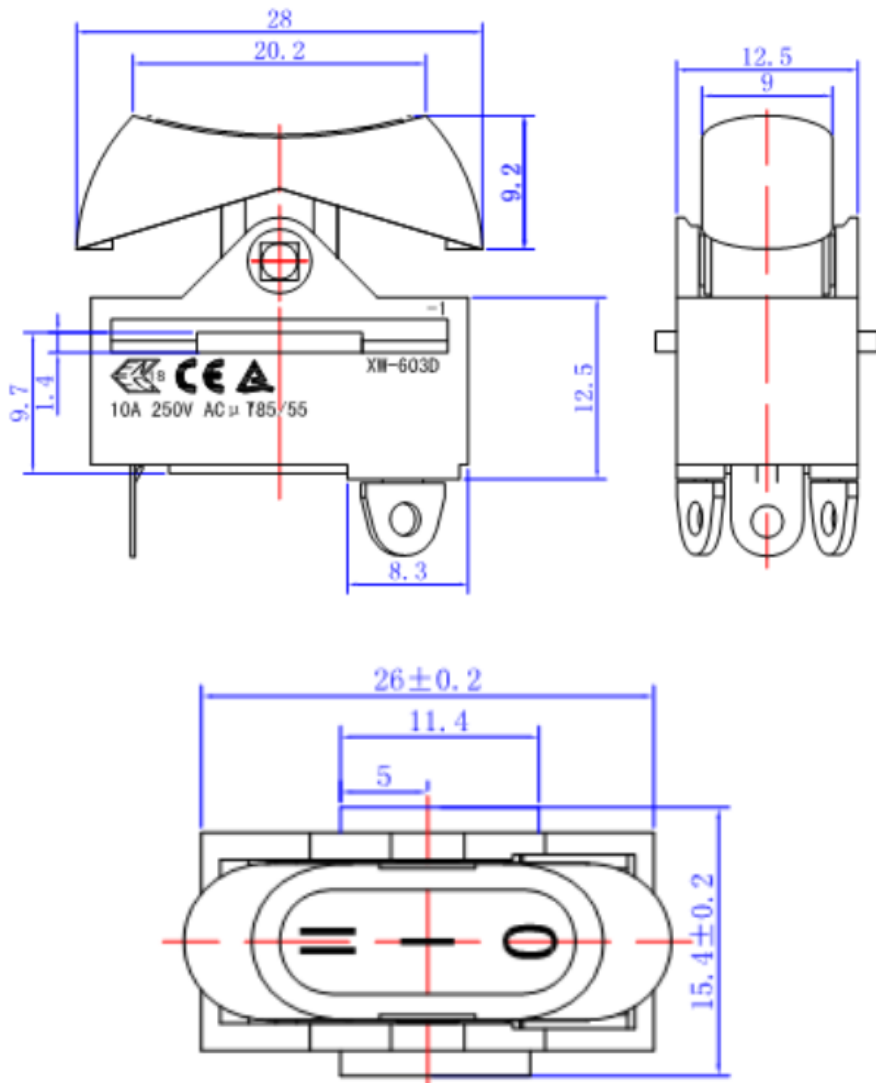
SKU: [SWH1062](#)

Brief Data:

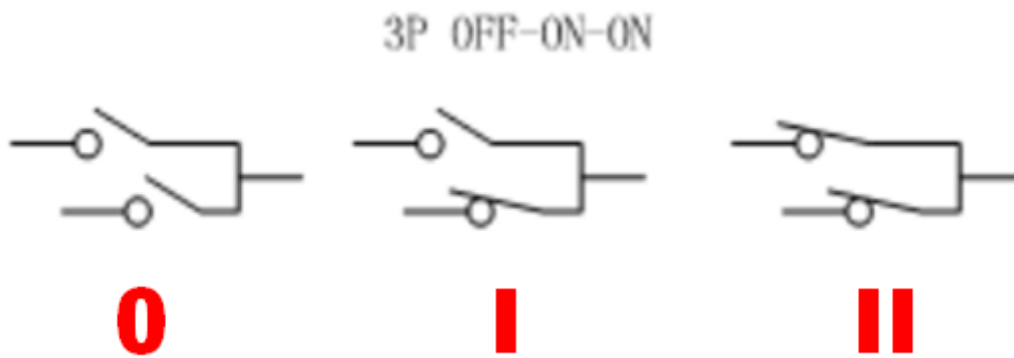
- Product Name: KCD15-103-T Rocker Switch.
- Rated current: 10A.
- Rated voltage: 250V.
- Product Color: Black & Red.
- Terminal Material: Copper Alloy.
- Switch Action: (Single-Pole-Double-Throw) SPDT Centre Off Latching.
- Switching Type: Latching.
- Number of pins: 3.
- Mechanical Size: (28x12x12) mm.

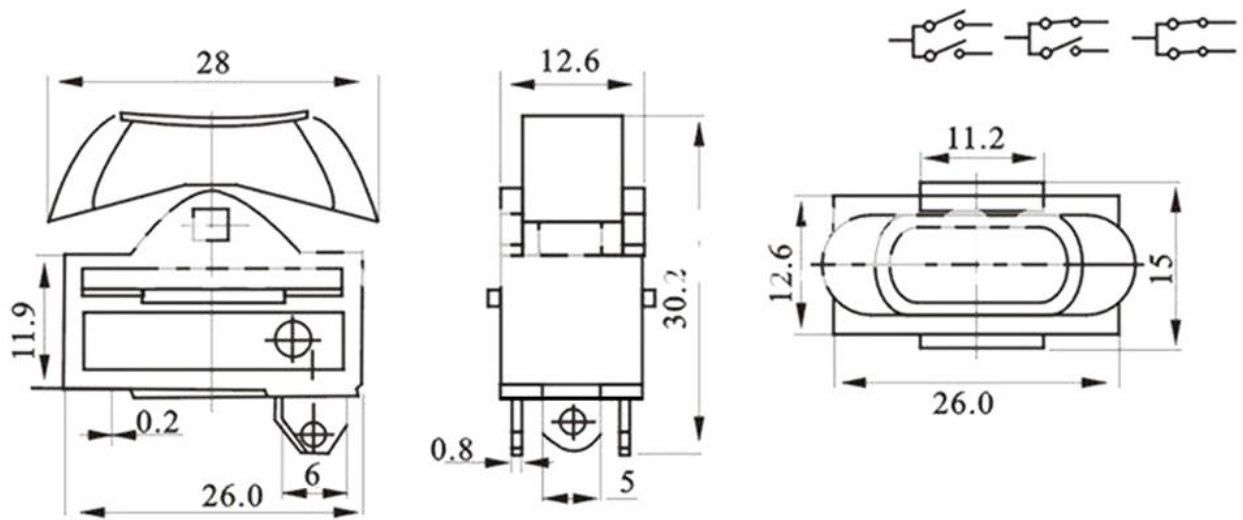
Mechanical Dimension:

Unit: mm



Circuit Diagram:







Handsontec.com

We have the parts for your ideas

HandsOn Technology provides a multimedia and interactive platform for everyone interested in electronics. From beginner to diehard, from student to lecturer. Information, education, inspiration and entertainment. Analog and digital, practical and theoretical; software and hardware.



open source
hardware

HandsOn Technology support Open Source Hardware (OSHW) Development Platform.

Learn : Design : Share

handsontec.com



The Face behind our product quality...

In a world of constant change and continuous technological development, a new or replacement product is never far away – and they all need to be tested.

Many vendors simply import and sell without checks and this cannot be the ultimate interests of anyone, particularly the customer. Every part sell on Handsotec is fully tested. So when buying from Handsotec products range, you can be confident you're getting outstanding quality and value.

We keep adding the new parts so that you can get rolling on your next project.



www.handsontec.com

[Breakout Boards & Modules](#)



[Connectors](#)



www.handsontec.com

[Electro-Mechanical Parts](#)



www.handsontec.com

[Engineering Material](#)



www.handsontec.com

[Mechanical Hardware](#)



[Electronic Components](#)

[Tools & Accessory](#)



www.handsontec.com

[Power Supply](#)



[Arduino Board & Shield](#)



www.handsontec.com

[Tools & Accessory](#)