



Data Specs

MTS-103 Single-Pole-Double Throw Switch

Miniature Toggle Switch with Single-Pole-Double Throw (SPDT) configuration. For general purposes switching application.



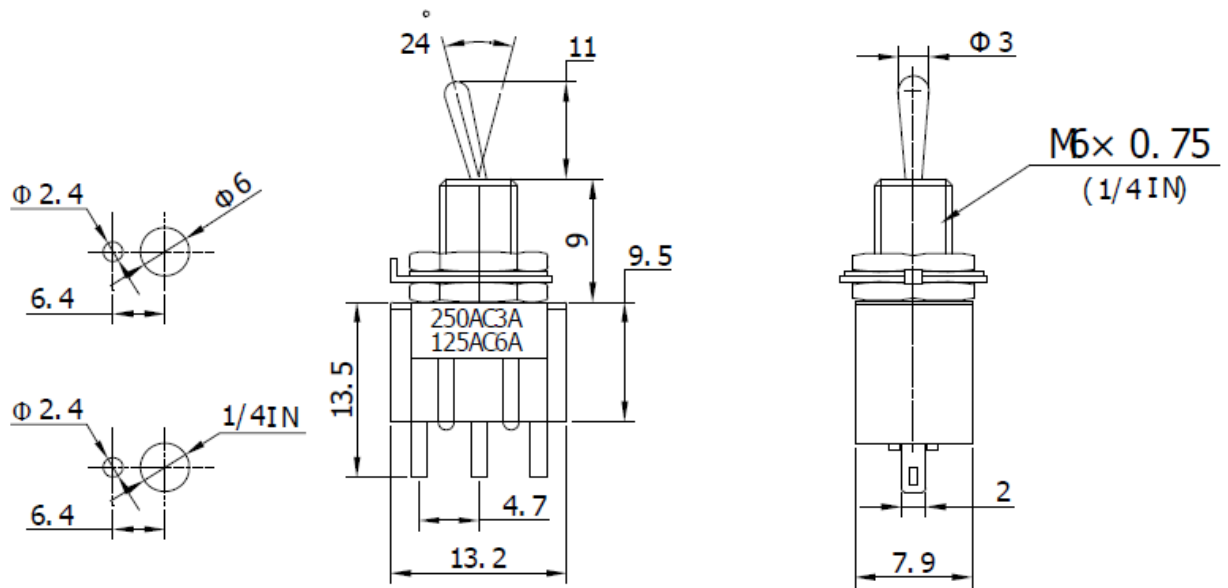
SKU: [SWH1064](#)

Brief Data:

- Model No: MTS-103.
- Contact Form: Single-Pole-Double Throw SPDT.
- Switch Function: ON-OFF-ON.
- Contact Rating: 6A@120VAC/2A@250VAC
- Contact Resistance: 20mΩmax.
- Body CODY: Blue.
- Mounting Style: Panel/Rear.
- Termination Style: Solder Lug.
- Insulation Resistance: 500VDC 1000MΩmin.
- Dielectric strength: 1500VAC@ 1Minute.
- Operating Temperature:-55°C~ +85°C.
- Electrical Life: 20,000 Cycles.

Mechanical Dimension:

Unit: mm



Model No	Position			Configuration	SKU
MTS-103	ON	OFF	ON	SPDT	SWH1064



Handsontec.com

We have the parts for your ideas

HandsOn Technology provides a multimedia and interactive platform for everyone interested in electronics. From beginner to diehard, from student to lecturer. Information, education, inspiration and entertainment. Analog and digital, practical and theoretical; software and hardware.



open source
hardware

HandsOn Technology support Open Source Hardware (OSHW) Development Platform.

Learn : Design : Share

handsontec.com



The Face behind our product quality...

In a world of constant change and continuous technological development, a new or replacement product is never far away – and they all need to be tested.

Many vendors simply import and sell without checks and this cannot be the ultimate interests of anyone, particularly the customer. Every part sell on Handsotec is fully tested. So when buying from Handsotec products range, you can be confident you're getting outstanding quality and value.

We keep adding the new parts so that you can get rolling on your next project.



www.handsontec.com

[Breakout Boards & Modules](#)



[Connectors](#)



www.handsontec.com

[Electro-Mechanical Parts](#)



[Engineering Material](#)



www.handsontec.com

[Mechanical Hardware](#)



[Electronics Components](#)

P



www.handsontec.com

[Power Supply](#)



[Arduino Board & Shield](#)

[Tools & Accessory](#)



www.handsontec.com

[Tools & Accessory](#)