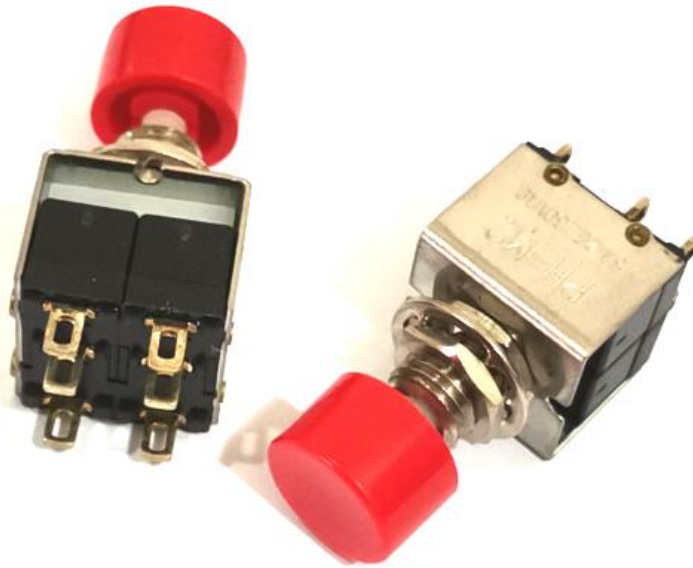




Data Specs

Double-Pole-Double-Throw (DPDT) Pushbutton Switch

Miniature Toggle push-button switch with Double-Pole-Double Throw (DPDT) configuration. For general purposes switching application. Hex nut fixing for panel mount. Ø10mm red top button.



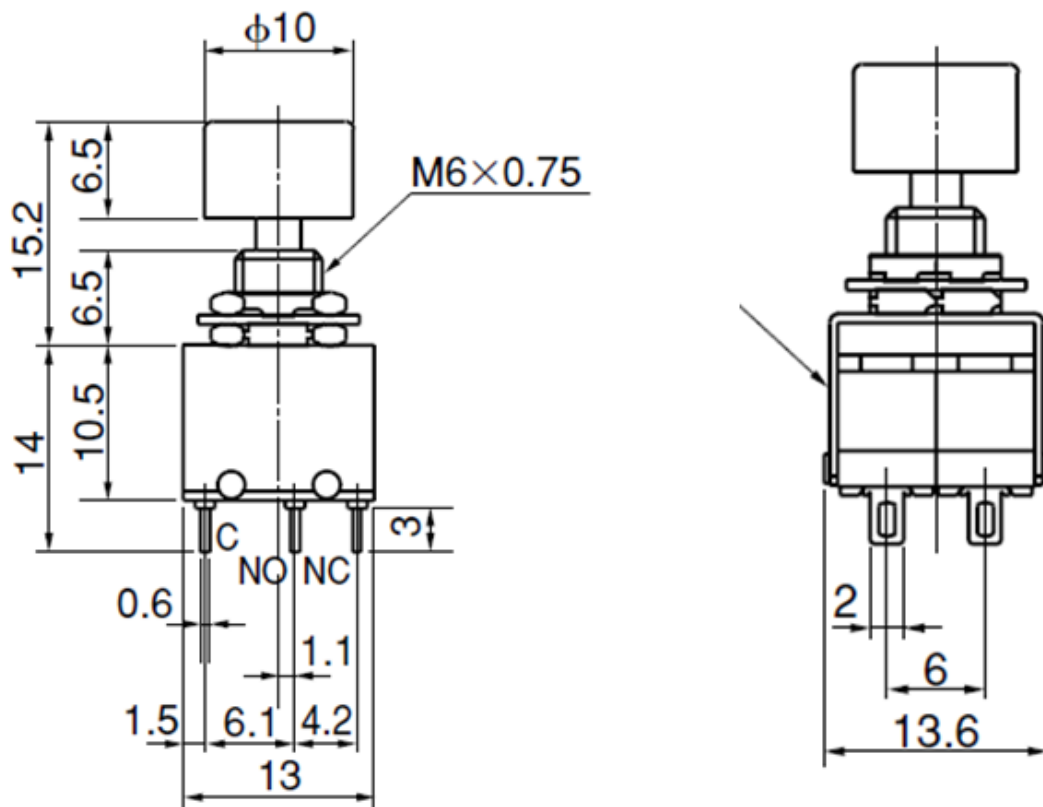
SKU: [SWH1003](#)

Brief Data:

- Model No: PH-M2.
- Switch Configuration: Double-Pole-Double-Throw (DPDT).
- Switch Type: Momentary.
- Rating: 5A@125V.
- Contact Resistance: 20mΩmax.
- Terminal: 6-Pins Solder.
- Insulation Resistance: 500VDC 1000MΩmin.
- Dielectric strength: 1500VAC@ 1Minute.
- Operating Temperature: -55°C ~ +85°C.
- Electrical Life: 20,000 Cycles.

Mechanical Dimension:

Unit: mm





Handsontec.com

We have the parts for your ideas

HandsOn Technology provides a multimedia and interactive platform for everyone interested in electronics. From beginner to diehard, from student to lecturer. Information, education, inspiration and entertainment. Analog and digital, practical and theoretical; software and hardware.



open source
hardware

HandsOn Technology support Open Source Hardware (OSHW) Development Platform.

Learn : Design : Share

handsontec.com



The Face behind our product quality...

In a world of constant change and continuous technological development, a new or replacement product is never far away – and they all need to be tested.

Many vendors simply import and sell without checks and this cannot be the ultimate interests of anyone, particularly the customer. Every part sold on Handsontec is fully tested. So when buying from Handsontec products range, you can be confident you're getting outstanding quality and value.

We keep adding the new parts so that you can get rolling on your next project.



www.handsontec.com

[Breakout Boards & Modules](#)



[Connectors](#)



www.handsontec.com

[Electro-Mechanical Parts](#)



www.handsontec.com

[Engineering Material](#)



www.handsontec.com

[Mechanical Hardware](#)



[Electronics Components](#)

P



www.handsontec.com

[Power Supply](#)



[Arduino Board & Shield](#)

[Tools & Accessory](#)



www.handsontec.com

[Tools & Accessory](#)