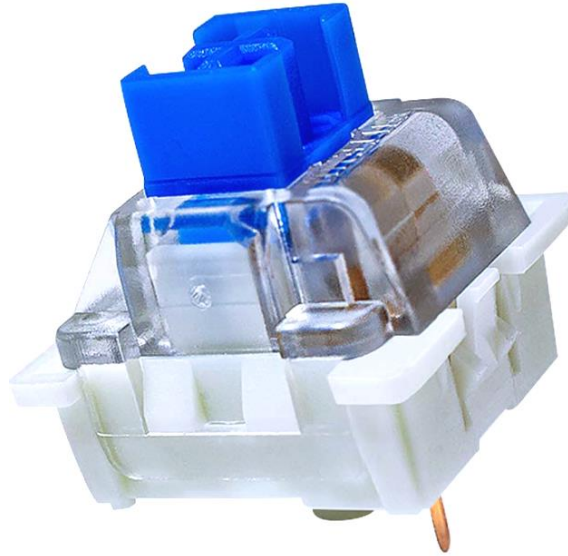




Data Specs

Mechanical Switch for Computer Keyboard

This mechanical axis switch is mainly used in mechanical keyboard with exquisite design and comfortable operation, ensuring the best electrical contact. Dust Proof type axis. With color code for difference activation force and sound feedback.



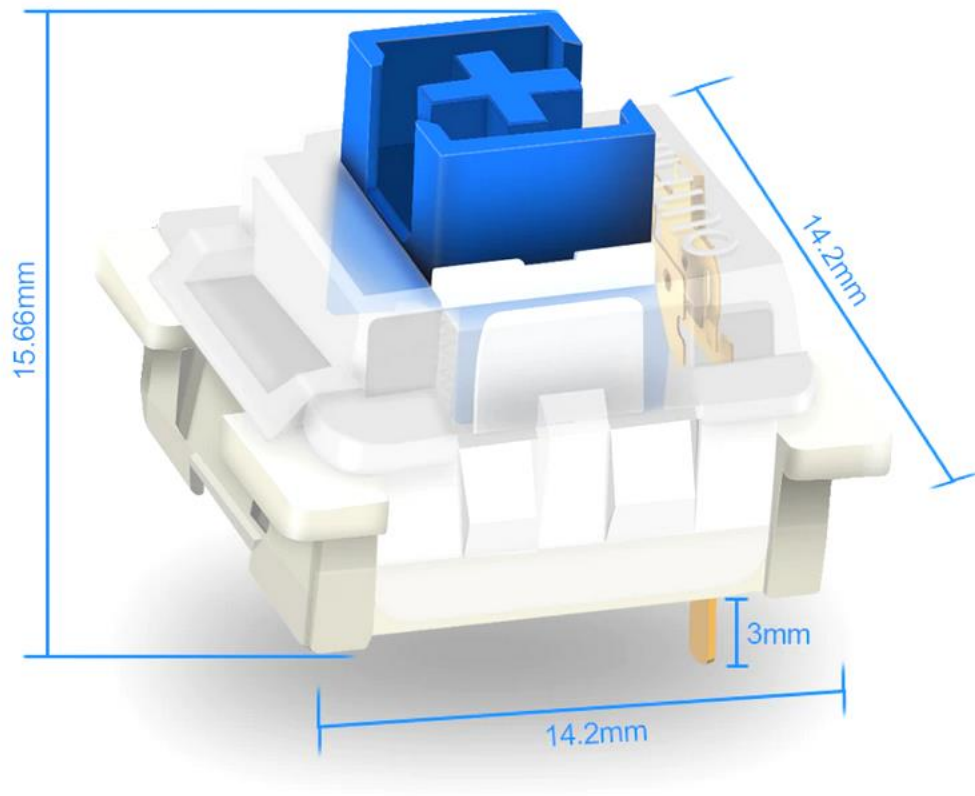
SKU: SWH1058

Brief Data:

- Type: Blue switch.
- Audible click sound and tactile feedback.
- Suitable for LED illuminated keyboard.
- Total stroke distance: 4.00mm.
- Conduction stroke: 1.60+0.5mm.
- Conduction force: 50±10gf.
- Tactile strength: 60±10gf.
- Tactile stroke: 1.20mm.
- Minimum triggering force: 30gf Min.
- Termination force: 65gf Max.
- Dust Proof Type.
- Number of pin: 2.

Mechanical Dimension:

Unit: mm





Handsontec.com

We have the parts for your ideas

HandsOn Technology provides a multimedia and interactive platform for everyone interested in electronics. From beginner to diehard, from student to lecturer. Information, education, inspiration and entertainment. Analog and digital, practical and theoretical; software and hardware.



open source
hardware

HandsOn Technology support Open Source Hardware (OSHW) Development Platform.

Learn : Design : Share

handsontec.com



The Face behind our product quality...

In a world of constant change and continuous technological development, a new or replacement product is never far away – and they all need to be tested.

Many vendors simply import and sell without checks and this cannot be the ultimate interests of anyone, particularly the customer. Every part sold on Handsontec is fully tested. So when buying from Handsontec products range, you can be confident you're getting outstanding quality and value.

We keep adding the new parts so that you can get rolling on your next project.



www.handsontec.com

[Breakout Boards & Modules](#)



[Connectors](#)



www.handsontec.com

[Electro-Mechanical Parts](#)



www.handsontec.com

[Engineering Material](#)



www.handsontec.com

[Mechanical Hardware](#)



[Electronics Components](#)

P



www.handsontec.com

[Power Supply](#)



[Arduino Board & Shield](#)

[Tools & Accessory](#)



www.handsontec.com

[Tools & Accessory](#)